

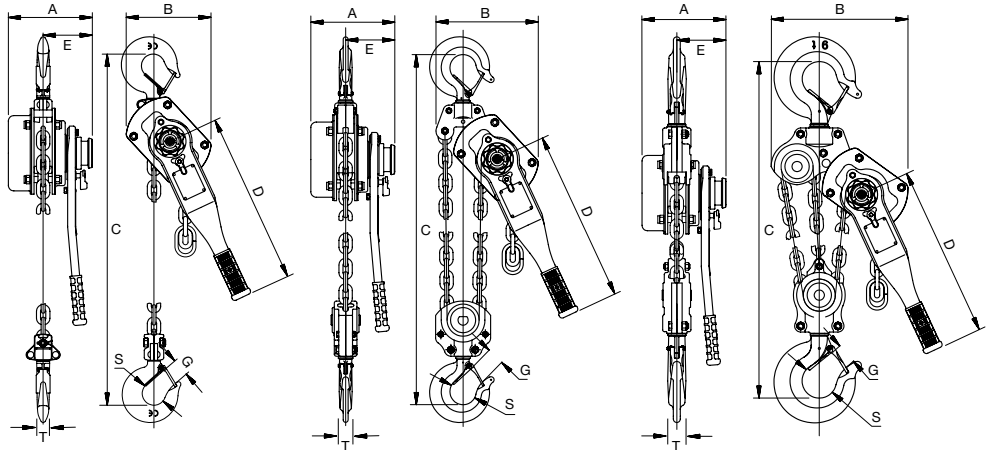
Loadsafe Lever Hoists

Capacities: 800kg to 9 tonnes



FEATURES

- Intergrated safety overload clutch
- Robust all steel construction
- Super strength plated alloy load chain
- Low handle effort required to raise loads
- Fully enclosed gear train
- Cast steel safety latches on hooks
- Weston brake with twin pawls
- Fully machined liftwheel
- All gears and shafts running on bearings or bushes
- Powder coated paint finish
- Stainless steel name plates
- 5 year conditional guarantee



800kg, 1.6 & 3.2 tonne

6.3 tonne

9 tonne



Product Code		LHOZLS008	LHOZLS016	LHOZLS032	LHOZLS063	LHOZLS090
Working Load Limit	Tonnes	0.8	1.6	3.2	6.3	9.0
Standard Lift	m	1.5	1.5	1.5	1.5	1.5
Test Load	Tonnes	1.2	2.4	4.8	9.4	13.5
Effort to lift rated load	N (kgf)	265 (27)	314 (32)	343 (35)	353 (36)	382 (39)
No. of load chain falls		1	1	1	2	3
Load chain dia. x pitch	mm	5.6 x 18	7.1 x 21	10 x 30	10 x 30	10 x 30
Clearance Dimensions	A	160	182	207.5	207.5	207.5
	B	133	157	210	253	338
	C	320	365	465	583	690
	D	240	265	420	420	420
	E	100	109	121.5	121.5	121.5
	G	28	36	43	44	54
	S	38	48	58	65	85
T	15	20	24.5	28.5	40	
Net Weight	kg	6.6	11.2	20.5	31.5	46.5

COMPLIES WITH AS/NZS1418.2

Meets or exceeds all relevant world standards