

Oz Blok

Proven performance in Lifting & Hoisting Products

**SMALLER LIGHTER
HIGHER-PERFORMANCE**

Oz Blok
LIFTING & HOISTING

Oz
Mechanical

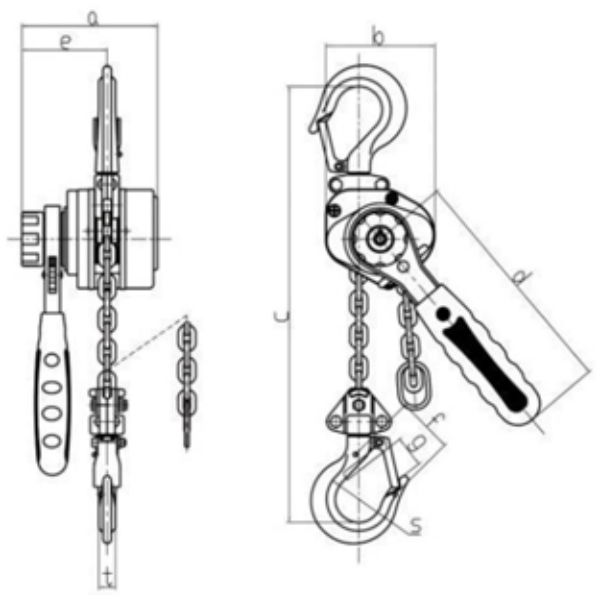
Mk II
Includes Spare Latch Kits
and Carry Bag



Introduction

250 & 500kg

- Attractive high-quality aluminium housing.
- Small size allows operation and storage in tight places.
- Easy handing with low physical effort on the lever.
- Fully protected mechanism for low maintenance cost.
- Easy adjustment by free chaining mode.
- Load drop protection in free-wheeling position.
- Grade 80 Zinc plated alloy load chain.



Lifting



Lowering



Fastening



Pulling

Specifications

Model	Capacity (t)	Standard lift (m)	Running test (t)	No. of falls of load chain	Load chain diameter (mm)	Dimension (mm)										Net weight (kg)
						A	B	C	D	E	F	G	S	T		
OMLB025MKII	0.25	1	0.375	1	4.3	100.5	81	250	160	62.5	42	24.5	34.5	12	2.2	
OMLB05MKII	0.5	1.5	0.75	1	4.3	100.5	81	250	160	62.5	42	24.5	34.5	12	2.5	

Oz Blok
LIFTING & HOISTING