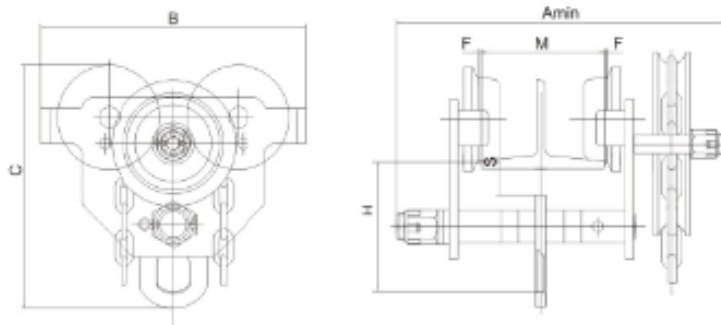


The OzBlok range of Geared Girder Trolleys are designed to run along R.S.J's and universal beams to provide a means of moving loads. The trolleys are adjustable to suit a variety of beam flange widths.



PRODUCT FEATURES

- 304 Stainless Steel construction
- Super-quick adjustment to any monorail
- Precision ball bearing trolley wheels
- Complies with AS/NZS1418.2



SPECIFICATIONS

PRODUCT CODE	RATED CAPACITY	ADJUSTABLE BEAM WIDTH	MIN. RADIUS CURVE	NET WEIGHT
GTSS01	1.0t	64mm - 210mm	1.0m	18kg
GTSS02	2.0t	88mm - 210mm	1.1m	27kg
GTSS03	3.0t	102mm - 210mm	1.3m	43kg
GTSS05	5.0t	114mm - 210mm	1.4m	60kg

DIMENSIONS

PRODUCT CODE	A	B	C	H
GTSS01	388mm	260mm	239mm	135mm
GTSS02	390mm	300mm	286mm	161mm
GTSS03	413mm	345mm	336mm	188mm
GTSS05	430mm	395mm	393mm	220mm