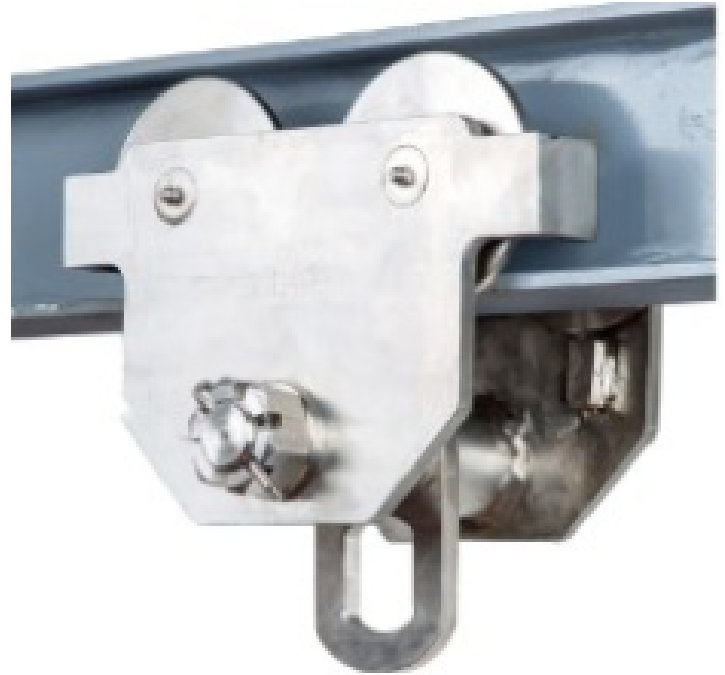
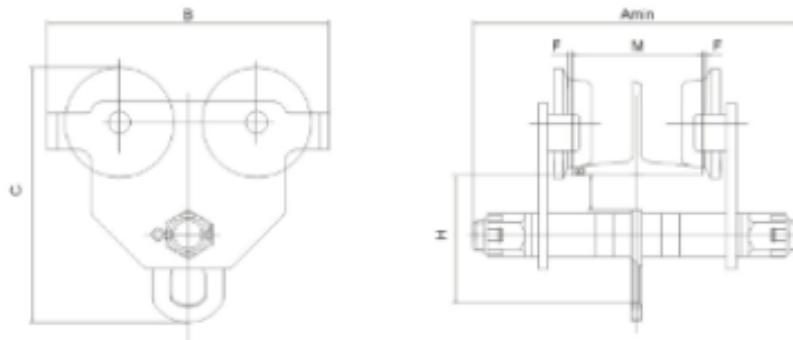


The OzBlok range of Push Girder Trolleys are designed to run along R.S.J's and universal beams to provide a means of moving loads. The trolleys are adjustable to suit a variety of beam flange widths.



## PRODUCT FEATURES

- 304 Stainless Steel construction
- Super-quick adjustment to any monorail
- Precision ball bearing trolley wheels
- Complies with AS/NZS1418.2



## SPECIFICATIONS

PRODUCT CODE	RATED CAPACITY	ADJUSTABLE BEAM WIDTH	MIN. RADIUS CURVE	NET WEIGHT
PTOZSS005	0.5t	50mm - 152mm	0.8m	8.5kg
PTOZSS010	1.0t	64mm - 203mm	1.0m	12kg
PTOZSS020	2.0t	88mm - 203mm	1.1m	19.5kg
PTOZSS030	3.0t	100mm - 203mm	1.3m	29kg
PTOZSS050	5.0t	114mm - 203mm	1.4m	44kg

## DIMENSIONS

PRODUCT CODE	WORKING LOAD LIMIT	A	B	C	H
PTOZSS005	0.5t	260mm	199mm	193mm	106mm
PTOZSS010	1.0t	331mm	246mm	229mm	127mm
PTOZSS020	2.0t	350mm	276mm	268mm	150mm
PTOZSS030	3.0t	370mm	332mm	316mm	173mm
PTOZSS050	5.0t	385mm	377mm	360mm	198mm