
MODEL: CH-SERIES

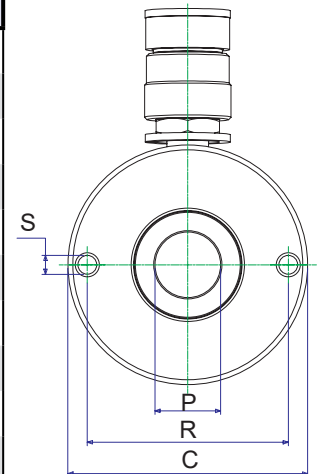
- Single Acting - Hollow Centre
- Capacity : 10 - 100 Ton
- Stroke : 8mm - 160mm
- Maximum working pressure : 10,000 psi / 700 Bar

FEATURES

- Single Acting with spring return
- Hard chrome plated piston rod
- Roller burnished cylinder bore

Base Plate Mounting Hole Dimensions

Model	R (mm)	S (ØUN)
CH120	50.8	5/16"-18
CH121	50.8	5/16"-18
CH1211	50.8	5/16"-18
CH123	50.8	5/16"-18
CH202	82.6	3/8"-16
CH206	82.6	3/8"-16
CH302	92	3/8"-16
CH306	92	3/8"-16
CH603	130	1/2"-13
CH606	130	1/2"-13
CH1003	178	5/8"-11


SPECIFICATIONS

Model	Cap Ton	Stroke (mm)	Oil Cap (cc)	Cylinder Effective Area (cm²)	A Retracted Height (mm)	B Extended Height (mm)	C Outside Dia. (Ømm)	D Bore Dia. (Ømm)	E (mm)	F (Ømm)	G (Ømm)	H (mm)	J (ØUN)	K (mm)	L (mm)	M (ØUN)	N (mm)	P Centre Hole (Ømm)	Weight (kg)
CH102	10	63.5	91	14.9	135.5	199	76.2	60	0.5	52	53	25.4	1 3/4"-12	15	10	-	-	19.5	4
CH120	12	8	14.8	18.5	60	68	73	54.1	-	35	-	12.5	3/4"-16	16	9	2 3/4"-16	33	19.5	1.5
CH121		42	79	18.9	120	162	73	55	-	35	-	19	-	-	12.7	2 3/4"-16	33	19.5	3
CH1211*		42	79	18.9	120	162	73	55	-	35	-	19	3/4"-16	16	12.7	2 3/4"-16	33	19.5	3
CH123	20	76	143.2	18.9	184	260	73	55	-	35	-	19	-	-	12.7	2 3/4"-16	33	19.5	4.2
CH202		51	173	34	162	213	98.5	75	7	55	54	19	9/16"-16	25	9.4	3 7/8"-12	38	27	7.5
CH206		155	527	34	306	461	98.5	75	7	55	54	19	9/16"-16	25	9.4	3 7/8"-12	38	27	13.5
CH302	30	65	310	47.8	178.5	243.5	117	90	0.5	65	59.9	21.5	1 7/8"-16	25	14	4 1/2"-12	42	34	11
CH306		160	763	47.8	330	490	117	90	0.5	65	59.9	21.5	1 7/8"-16	25	14	4 1/2"-12	42	34	20.4
CH603	60	76	680	89.6	247.5	323.5	158.6	125	12.5	90	89	32	2 3/4"-16	25	14	6 1/4"-12	50	54	26.4
CH606		152	1360	89.6	323.5	475.5	158.6	125	12.5	90	89	32	2 3/4"-16	25	14	6 1/4"-12	50	54	34
CH1003	100	76	1085	143	254	330	213	165	12	125	125	38	4"-16	30	19	8 3/8"-12	60	79	50.1

* Threaded Collar