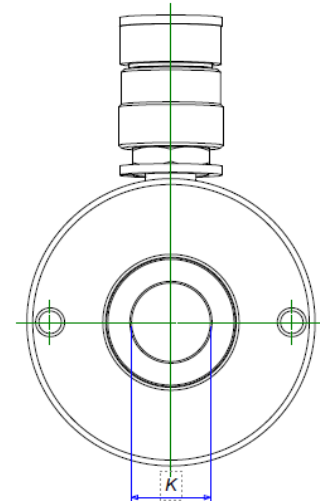


MODEL: CM-SERIES

- Single Acting - Mid Profile
- Capacity : 10 - 100 Ton
- Stroke : 38mm - 63mm
- Maximum working pressure : 10,000 psi / 700 Bar

FEATURES

- Single Acting with spring return
- Hard chrome plated piston rod
- Roller burnished cylinder bore
- Angled coupling for ease of connection



SPECIFICATIONS

Model	Cap Ton	Stroke (mm)	Oil Cap (cc)	Cylinder Effective Area (cm ²)	A Retracted Height (mm)	B Extended Height (mm)	C Outside Dia. (mm)	D Bore Dia. (Ømm)	E (mm)	F (Ømm)	G (mm)	H (mm)	J (mm)	K (mm)	Weight (kg)
CM101	10	38.1	55	14.46	88.9	126.2	69.9	42.9	5	38.1	M4	17.5	8	26.2	4.1
CM202	20	44.4	127	28.75	98.6	143	92.2	60.5	3	50.8	M5	17.5	9	23.9	5
CM302	30	61.9	260	42.09	117.6	179.3	101.6	73.2	3	63.5	M5	19	8	36	6.8
CM502	50	60.5	375	62.08	127.5	182.6	124.9	88.9	2	69.9	M6	19	8	39.6	10.9
CM1002	100	63.5	725	126.69	141.2	198.4	165.1	127	1.5	92.2	M8	25	10	55.6	22.7