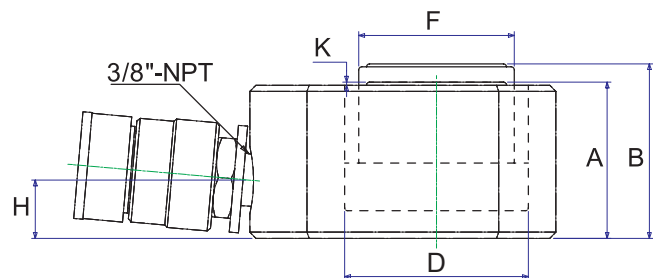
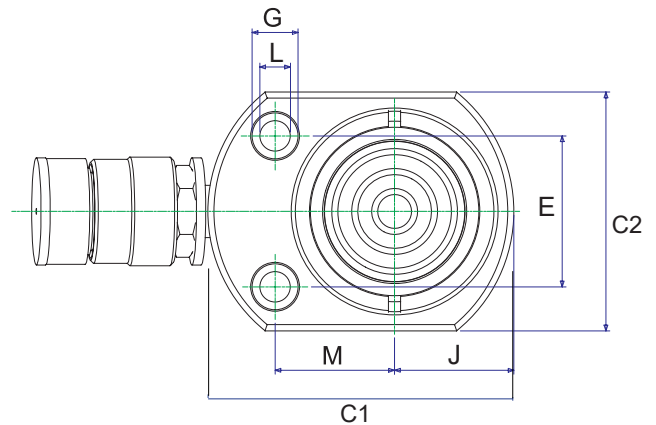



MODEL: CP-SERIES

- Single Acting - Low Profile
- Capacity : 5 - 150 Ton
- Stroke : 6mm - 17mm
- Maximum working pressure : 10,000 psi / 700 Bar

FEATURES

- Single Acting with spring return
- Hard chrome plated piston rod
- Roller burnished cylinder bore
- Angled coupling for ease of connection


SPECIFICATIONS

Model	Cap Ton	Stroke (mm)	Oil Cap (cc)	Cylinder Effective Area (cm ²)	A Retracted Height (mm)	B Extended Height (mm)	C Outside Dia. C1 C2 (mm)	D Bore Dia. (Ømm)	E (mm)	F (Ømm)	G (Ømm)	H (mm)	J (mm)	K (mm)	L (Ømm)	M (mm)	Weight (kg)
CP50	5	6	4.5	7.55	33	39	58.5 44	31	28.5	25.4	9.5	16	22	1	5.3	22	0.7
CP100	10	12	18	15.21	42	54	82.5 60	44	36.5	38	11	19	30	1	7.5	34	1.6
CP200	20	12	34	28.28	51	63	100 78	60	49.3	50.8	15	19	39	1	10	39	2.6
CP300	30	13	54	41.86	58	71	117.5 95	73	52.3	63.5	16	19	47.5	2	10	47.5	4.5
CP500	50	16	113	70.89	66	82	145 115	95	66.5	70	19	19	57.5	2	11	58	6.8
CP750	75	16	180	113.11	79	95	170 145	120	76.2	82.5	20.5	19	72.5	2	13.5	70	11.3
CP1000	100	16	229	143.16	85	101	185 160	135	76.2	92	20.5	19	80	2	13.5	78	14.5
CP1500	150	17	363	213.85	100	117	225 195	165	117	115	20.5	23	97.5	2	13.5	85	26.3