

# HEAVY DUTY SNATCH BLOCK

## SPECIFICATION FOR 2 TONNE TO 50 TONNE

AS/NZS  
2089

Certified

MBS  
x5 WLL

High  
Tensile  
Steel

### Snatch Block with Shackle Head

Austlift manually operated snatch blocks are popular in the mining, construction, off shore rigging and heavy duty lifting applications.

- Made from hi-tensile steel body and cast steel sheave.
- Grease nipples fitted with roller bearings (2-50T).
- Blocks come with swivel bow shackle.
- Drop forged, heat treated swivel shackle.

### Application

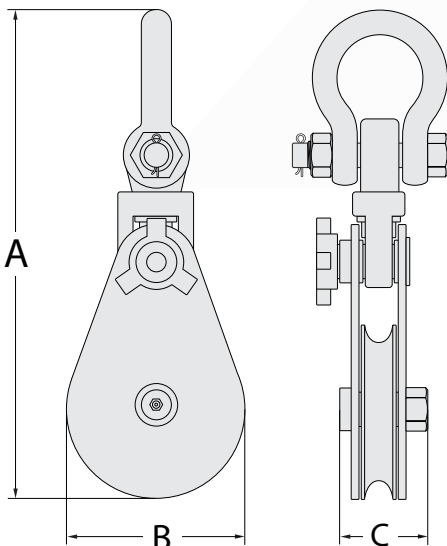
- Building construction sites
- Ship building yards
- Crane production sites
- Mine production sites
- Engineering Workshops

### Features

- Quality bush, ball or tapered bearings
- Identification tag with serial number
- Proof tested to 2 x WLL with certificate
- Fitted with shackle or hook head
- Robust construction & powder coated



Ball Bearing equipped



WLL (T)	CODE	SHEAVE DIA (mm)	WIRE ROPE DIA (mm)	UNIT WEIGHT (kg)	DIMENSIONS (mm)		
					A	B	C
2	140102	75	8-9	4	286	82	70
4	140103	115	10-13	6.1	345	120	70
4	140104	152	10-13	13.8	400	160	70
6	140106	152	13-16	15	480	160	94
8	140108	203	16-18	16	530	210	93
10	140110	254	18-20	37.5	680	260	115
12	140112	305	20-22	56	767	310	133
15	140115	305	24-26	65	788	310	133
22	140122	355	28-32	90	952	365	140
30	140130	510	32-36	210	1256	514	162
50	140150	610	44-50	418	1525	625	240