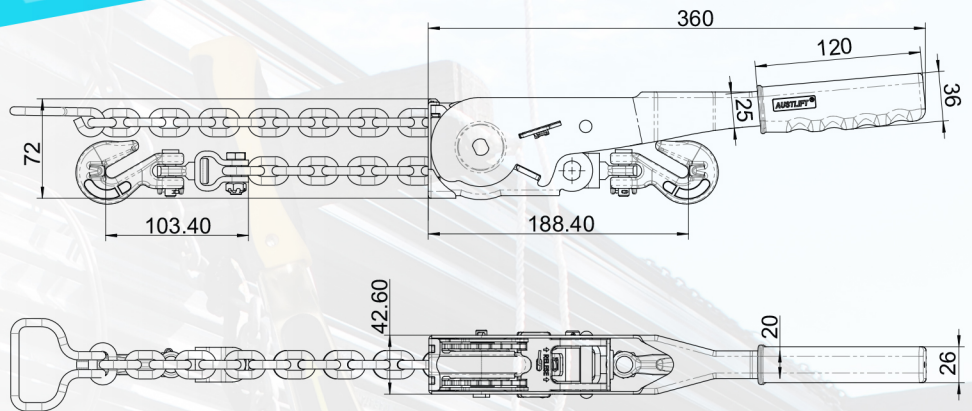


# AUSTLIFT MAXIBINDER **6MM** IN STOCK

- For 6mm G70 Transport Chain Application
- Lashing Capacity: 2300kg
- Destructive Test:  $\geq 4600\text{kg}$
- Conforms to: AS/NZS 4344



## 6MM MAXIBINDER SPECIFICATIONS

Product Code:	202704	Chain Travelling:	305mm
Lashing Capacity:	2300kg	Pretension:	600kg
Unit Weight:	2.3kg	Destructive Test:	$\geq 4600\text{kg}$