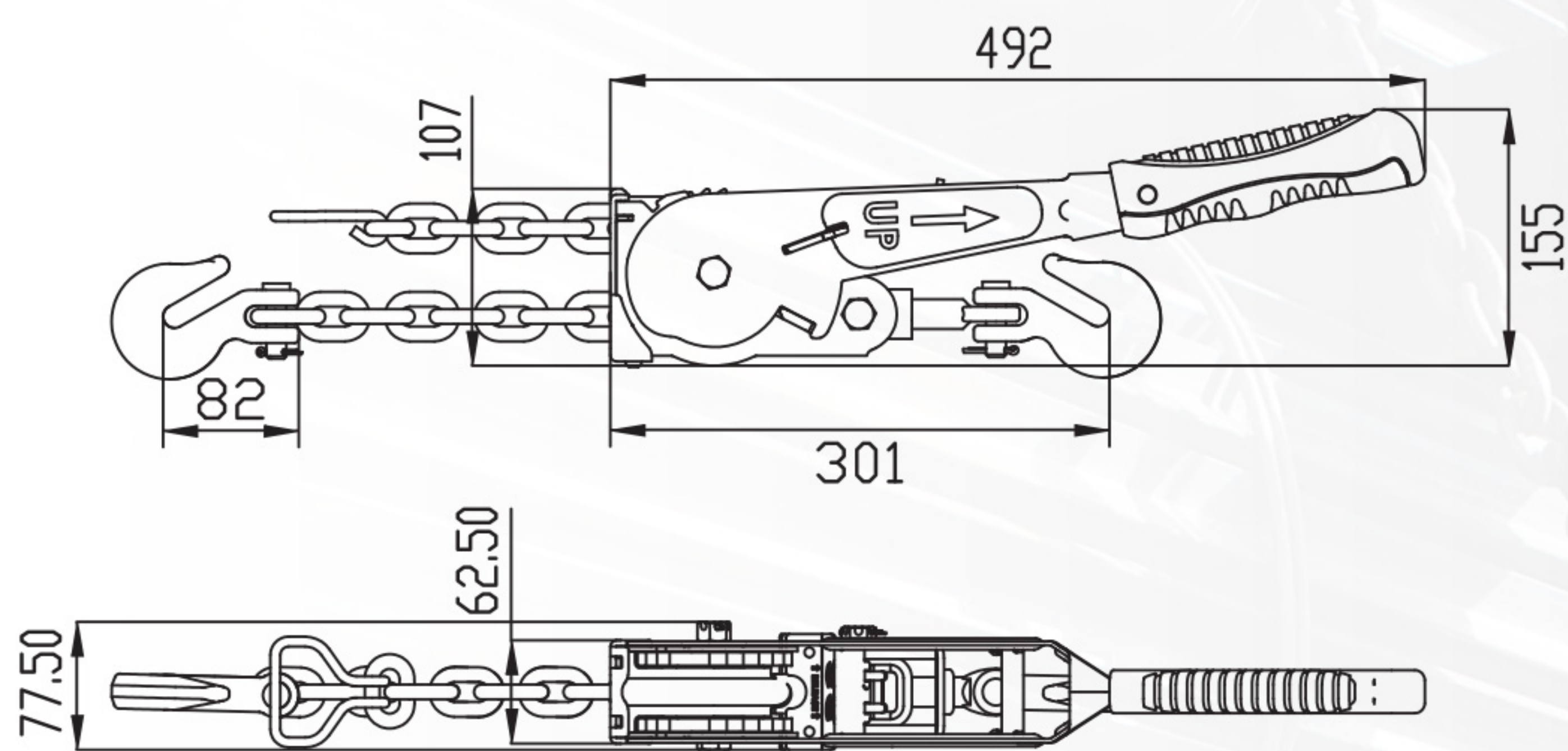


AUSTLIFT MAXIBINDER **NEW SIZE**

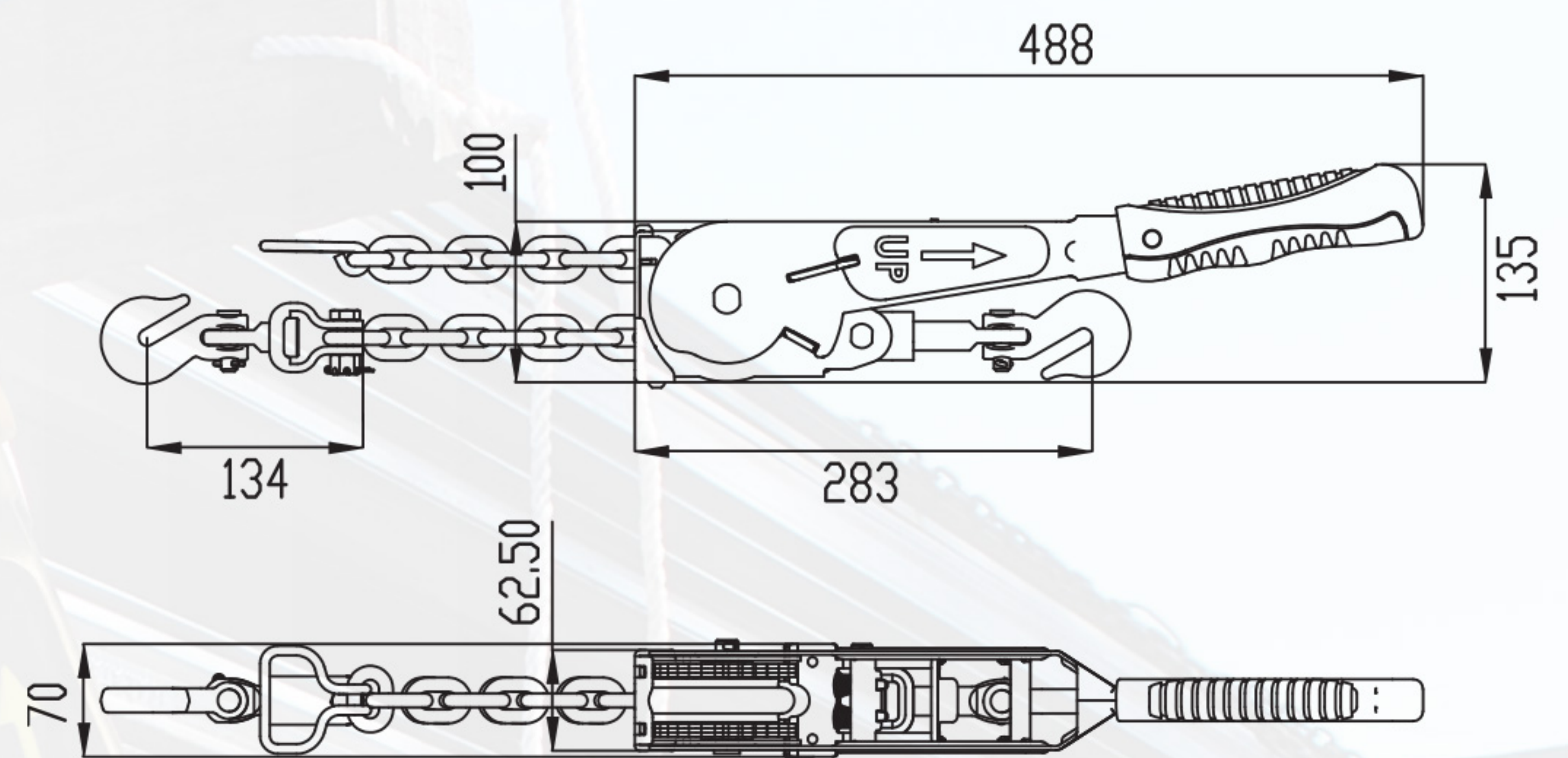
- For 10mm G70 Transport Chain Application
- Lashing Capacity: 6000kg
- Destructive Test: >12000kg
- Conforms to: AS/NZS 4344



NEW Maxibinder 10mm



Maxibinder 8mm



10mm MAXIBINDER SPECIFICATIONS	
Product Code:	202707
Lashing Capacity:	6000kg
Unit Weight:	6.4kg
Tensioning Distance:	305mm
Destructive test:	12000kg
Chain:	G100 9mm
Grab Hook:	G70 10mm Clevis Type

8mm MAXIBINDER SPECIFICATIONS	
Product Code:	202705
Lashing Capacity:	3800kg
Unit Weight:	5.4kg
Tensioning Distance:	305mm
Destructive test:	7600kg
Chain:	G70 8mm
Grab Hook:	G70 8mm Clevis Type