

Eye bolt RS-M6

Artikel-Nr: 61401



- **Considerably higher WLL** (in comparison to DIN 580/582) at vertical load.
- **Large thread and WLL range** (M6-M48, 0.1 t – 8 t).
- **Clear marking of the minimum WLL for all loading directions**
- Quick and easy installation with just one bolt connection.
- In accordance with the test principles of DGUV GS-OA-15-04, eyebolts with rigid eyes serve as mounting aids, e.g. on motors and gear units. There is a trade association clearance certificate available for using the high-strength RUD RS eyebolts.

Other important RUD specific information and specialities to our RUD lifting points can be found in the specific user instruction.

Eye bolt RS-M6

Artikel-Nr: 61401



weight	0.10 kg	0.22 lbs
Nominal WLL	100 kg	220 lbs
T	34 mm	1-11/32"
A	12 mm	15/32"
B	11 mm	7/16"
C	10 mm	3/8"
D	25 mm	63/64"
E	25 mm	63/64"
M	M6 mm	M6

Eye bolt RS-M8

Artikel-Nr: 61402

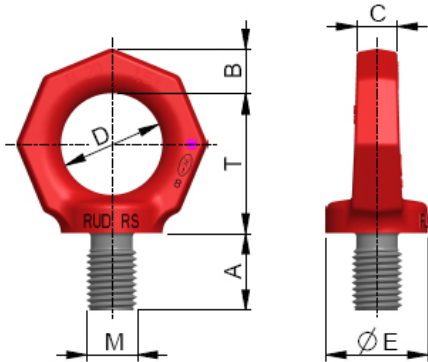


- **Considerably higher WLL** (in comparison to DIN 580/582) at vertical load.
- **Large thread and WLL range** (M6-M48, 0.1 t – 8 t).
- **Clear marking of the minimum WLL for all loading directions**
- Quick and easy installation with just one bolt connection.
- In accordance with the test principles of DGUV GS-OA-15-04, eyebolts with rigid eyes serve as mounting aids, e.g. on motors and gear units. There is a trade association clearance certificate available for using the high-strength RUD RS eyebolts.

Other important RUD specific information and specialities to our RUD lifting points can be found in the specific user instruction.

Eye bolt RS-M8

Artikel-Nr: 61402



weight	0.10 kg	0.22 lbs
Nominal WLL	200 kg	440 lbs
T	34 mm	1-11/32"
A	12 mm	15/32"
B	11 mm	7/16"
C	10 mm	3/8"
D	25 mm	63/64"
E	25 mm	63/64"
M	M8 mm	M8

Eye bolt RS-M10

Artikel-Nr: 56397

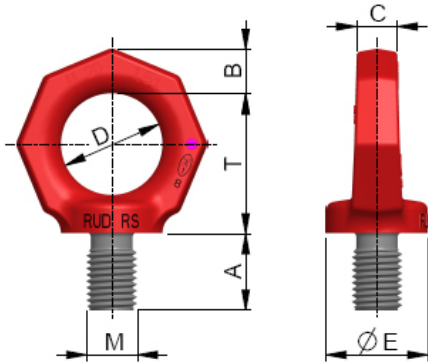


- **Considerably higher WLL** (in comparison to DIN 580/582) at vertical load.
- **Large thread and WLL range** (M6-M48, 0.1 t – 8 t).
- **Clear marking of the minimum WLL for all loading directions**
- Quick and easy installation with just one bolt connection.
- In accordance with the test principles of DGUV GS-OA-15-04, eyebolts with rigid eyes serve as mounting aids, e.g. on motors and gear units. There is a trade association clearance certificate available for using the high-strength RUD RS eyebolts.

Other important RUD specific information and specialities to our RUD lifting points can be found in the specific user instruction.

Eye bolt RS-M10

Artikel-Nr: 56397



weight	0.10 kg	0.22 lbs
Nominal WLL	250 kg	550 lbs
T	34 mm	1-11/32"
A	15 mm	19/32"
B	11 mm	7/16"
C	10 mm	3/8"
D	25 mm	63/64"
E	25 mm	63/64"
M	M10 mm	M10

Eye bolt RS-M12

Artikel-Nr: 56398

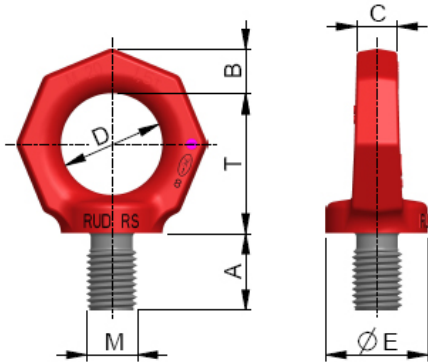


- **Considerably higher WLL** (in comparison to DIN 580/582) at vertical load.
- **Large thread and WLL range** (M6-M48, 0.1 t – 8 t).
- **Clear marking of the minimum WLL for all loading directions**
- Quick and easy installation with just one bolt connection.
- In accordance with the test principles of DGUV GS-OA-15-04, eyebolts with rigid eyes serve as mounting aids, e.g. on motors and gear units. There is a trade association clearance certificate available for using the high-strength RUD RS eyebolts.

Other important RUD specific information and specialities to our RUD lifting points can be found in the specific user instruction.

Eye bolt RS-M12

Artikel-Nr: 56398



weight	0.18 kg	0.40 lbs
Nominal WLL	400 kg	880 lbs
T	41 mm	1-5/8"
A	18 mm	23/32"
B	13 mm	1/2"
C	12 mm	15/32"
D	30 mm	1-3/16"
E	30 mm	1-3/16"
M	M12 mm	M12

Eye bolt RS-M14

Artikel-Nr: 56403



- **Considerably higher WLL** (in comparison to DIN 580/582) at vertical load.
- **Large thread and WLL range** (M6-M48, 0.1 t – 8 t).
- **Clear marking of the minimum WLL for all loading directions**
- Quick and easy installation with just one bolt connection.
- In accordance with the test principles of DGUV GS-OA-15-04, eyebolts with rigid eyes serve as mounting aids, e.g. on motors and gear units. There is a trade association clearance certificate available for using the high-strength RUD RS eyebolts.

Other important RUD specific information and specialities to our RUD lifting points can be found in the specific user instruction.

Eye bolt RS-M14

Artikel-Nr: 56403



weight	0.30 kg	0.66 lbs
Nominal WLL	750 kg	1650 lbs
T	48 mm	1-7/8"
A	21 mm	13/16"
B	15 mm	19/32"
C	14 mm	9/16"
D	35 mm	1-3/8"
E	35 mm	1-3/8"
M	M14 mm	M14

Eye bolt RS-M16

Artikel-Nr: 56404

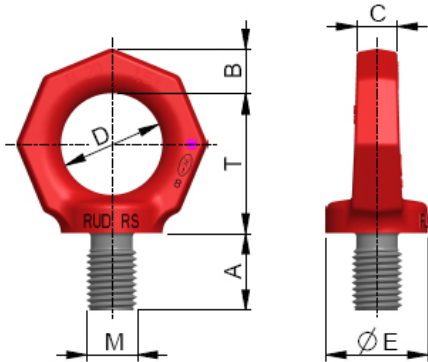


- **Considerably higher WLL** (in comparison to DIN 580/582) at vertical load.
- **Large thread and WLL range** (M6-M48, 0.1 t – 8 t).
- **Clear marking of the minimum WLL for all loading directions**
- Quick and easy installation with just one bolt connection.
- In accordance with the test principles of DGUV GS-OA-15-04, eyebolts with rigid eyes serve as mounting aids, e.g. on motors and gear units. There is a trade association clearance certificate available for using the high-strength RUD RS eyebolts.

Other important RUD specific information and specialities to our RUD lifting points can be found in the specific user instruction.

Eye bolt RS-M16

Artikel-Nr: 56404



weight	0.30 kg	0.66 lbs
Nominal WLL	1000 kg	2200 lbs
T	48 mm	1-7/8"
A	24 mm	15/16"
B	15 mm	19/32"
C	14 mm	9/16"
D	35 mm	1-3/8"
E	35 mm	1-3/8"
M	M16 mm	M16

Eye bolt RS-M18

Artikel-Nr: 53850

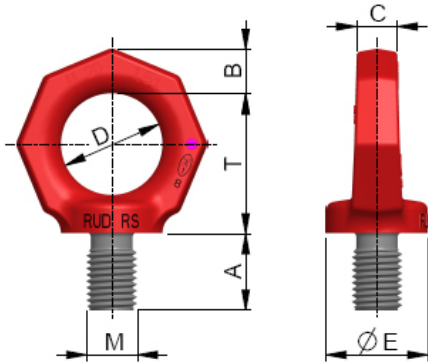


- **Considerably higher WLL** (in comparison to DIN 580/582) at vertical load.
- **Large thread and WLL range** (M6-M48, 0.1 t – 8 t).
- **Clear marking of the minimum WLL for all loading directions**
- Quick and easy installation with just one bolt connection.
- In accordance with the test principles of DGUV GS-OA-15-04, eyebolts with rigid eyes serve as mounting aids, e.g. on motors and gear units. There is a trade association clearance certificate available for using the high-strength RUD RS eyebolts.

Other important RUD specific information and specialities to our RUD lifting points can be found in the specific user instruction.

Eye bolt RS-M18

Artikel-Nr: 53850



weight	0.45 kg	0.99 lbs
Nominal WLL	1200 kg	2640 lbs
T	55 mm	2-5/32"
A	30 mm	1-3/16"
B	17 mm	43/64"
C	16 mm	5/8"
D	40 mm	1-9/16"
E	40 mm	1-9/16"
M	M18 mm	M18

Eye bolt RS-M20

Artikel-Nr: 56407

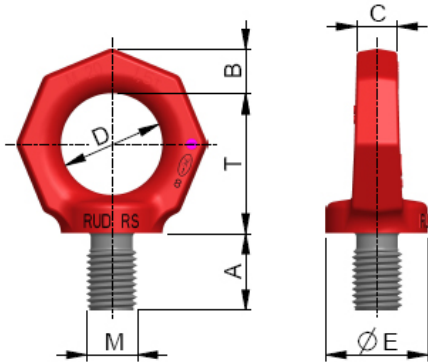


- **Considerably higher WLL** (in comparison to DIN 580/582) at vertical load.
- **Large thread and WLL range** (M6-M48, 0.1 t – 8 t).
- **Clear marking of the minimum WLL for all loading directions**
- Quick and easy installation with just one bolt connection.
- In accordance with the test principles of DGUV GS-OA-15-04, eyebolts with rigid eyes serve as mounting aids, e.g. on motors and gear units. There is a trade association clearance certificate available for using the high-strength RUD RS eyebolts.

Other important RUD specific information and specialities to our RUD lifting points can be found in the specific user instruction.

Eye bolt RS-M20

Artikel-Nr: 56407



weight	0.47 kg	1.04 lbs
Nominal WLL	1500 kg	3300 lbs
T	55 mm	2-5/32"
A	30 mm	1-3/16"
B	17 mm	43/64"
C	16 mm	5/8"
D	40 mm	1-9/16"
E	40 mm	1-9/16"
M	M20 mm	M20

Eye bolt RS-M22

Artikel-Nr: 53346



- **Considerably higher WLL** (in comparison to DIN 580/582) at vertical load.
- **Large thread and WLL range** (M6-M48, 0.1 t – 8 t).
- **Clear marking of the minimum WLL for all loading directions**
- Quick and easy installation with just one bolt connection.
- In accordance with the test principles of DGUV GS-OA-15-04, eyebolts with rigid eyes serve as mounting aids, e.g. on motors and gear units. There is a trade association clearance certificate available for using the high-strength RUD RS eyebolts.

Other important RUD specific information and specialities to our RUD lifting points can be found in the specific user instruction.

Eye bolt RS-M22

Artikel-Nr: 53346



weight	0.87 kg	1.92 lbs
Nominal WLL	1500 kg	3300 lbs
T	70 mm	2-3/4"
A	36 mm	1-27/64"
B	21 mm	13/16"
C	20 mm	3/4"
D	50 mm	1-31/32"
E	50 mm	1-31/32"
M	M22 mm	M22

Eye bolt RS-M24

Artikel-Nr: 56408

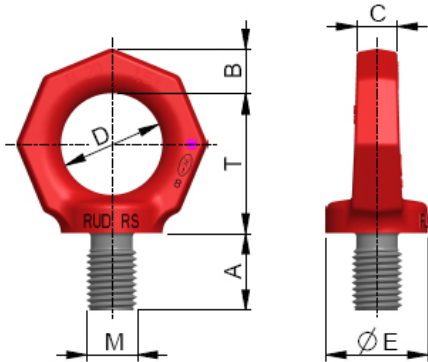


- **Considerably higher WLL** (in comparison to DIN 580/582) at vertical load.
- **Large thread and WLL range** (M6-M48, 0.1 t – 8 t).
- **Clear marking of the minimum WLL for all loading directions**
- Quick and easy installation with just one bolt connection.
- In accordance with the test principles of DGUV GS-OA-15-04, eyebolts with rigid eyes serve as mounting aids, e.g. on motors and gear units. There is a trade association clearance certificate available for using the high-strength RUD RS eyebolts.

Other important RUD specific information and specialities to our RUD lifting points can be found in the specific user instruction.

Eye bolt RS-M24

Artikel-Nr: 56408



weight	0.89 kg	1.96 lbs
Nominal WLL	2000 kg	4400 lbs
T	70 mm	2-3/4"
A	36 mm	1-27/64"
B	21 mm	13/16"
C	20 mm	3/4"
D	50 mm	1-31/32"
E	50 mm	1-31/32"
M	M24 mm	M24

Eye bolt RS-M27

Artikel-Nr: 53347

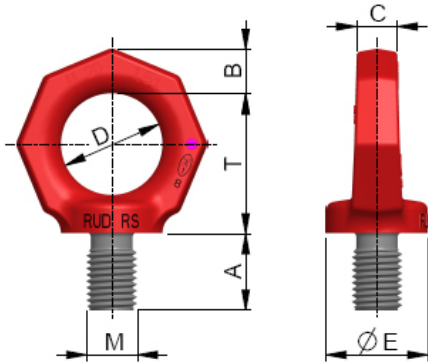


- **Considerably higher WLL** (in comparison to DIN 580/582) at vertical load.
- **Large thread and WLL range** (M6-M48, 0.1 t – 8 t).
- **Clear marking of the minimum WLL for all loading directions**
- Quick and easy installation with just one bolt connection.
- In accordance with the test principles of DGUV GS-OA-15-04, eyebolts with rigid eyes serve as mounting aids, e.g. on motors and gear units. There is a trade association clearance certificate available for using the high-strength RUD RS eyebolts.

Other important RUD specific information and specialities to our RUD lifting points can be found in the specific user instruction.

Eye bolt RS-M27

Artikel-Nr: 53347



weight	1.60 kg	3.53 lbs
Nominal WLL	2000 kg	4400 lbs
T	85 mm	3-11/32"
A	45 mm	1-25/32"
B	26 mm	1"
C	24 mm	15/16"
D	60 mm	2-3/8"
E	60 mm	2-3/8"
M	M27 mm	M27

Eye bolt RS-M30

Artikel-Nr: 56409

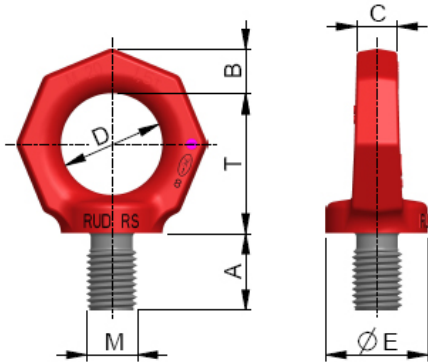


- **Considerably higher WLL** (in comparison to DIN 580/582) at vertical load.
- **Large thread and WLL range** (M6-M48, 0.1 t – 8 t).
- **Clear marking of the minimum WLL for all loading directions**
- Quick and easy installation with just one bolt connection.
- In accordance with the test principles of DGUV GS-OA-15-04, eyebolts with rigid eyes serve as mounting aids, e.g. on motors and gear units. There is a trade association clearance certificate available for using the high-strength RUD RS eyebolts.

Other important RUD specific information and specialities to our RUD lifting points can be found in the specific user instruction.

Eye bolt RS-M30

Artikel-Nr: 56409



weight	1.62 kg	3.57 lbs
Nominal WLL	3000 kg	6600 lbs
T	85 mm	3-11/32"
A	45 mm	1-25/32"
B	26 mm	1"
C	24 mm	15/16"
D	60 mm	2-3/8"
E	60 mm	2-3/8"
M	M30 mm	M30

Eye bolt RS-M33

Artikel-Nr: 57770



- **Considerably higher WLL** (in comparison to DIN 580/582) at vertical load.
- **Large thread and WLL range** (M6-M48, 0.1 t – 8 t).
- **Clear marking of the minimum WLL for all loading directions**
- Quick and easy installation with just one bolt connection.
- In accordance with the test principles of DGUV GS-OA-15-04, eyebolts with rigid eyes serve as mounting aids, e.g. on motors and gear units. There is a trade association clearance certificate available for using the high-strength RUD RS eyebolts.

Other important RUD specific information and specialities to our RUD lifting points can be found in the specific user instruction.

Eye bolt RS-M33

Artikel-Nr: 57770



weight	6.10 kg	13.45 lbs
Nominal WLL	3000 kg	6600 lbs
T	130 mm	5-1/8"
A	50 mm	1-31/32"
B	43 mm	1-11/16"
C	38 mm	1-1/2"
D	90 mm	3-17/32"
E	100 mm	3-15/16"
M	M33 mm	M33

Eye bolt RS-M36

Artikel-Nr: 56954

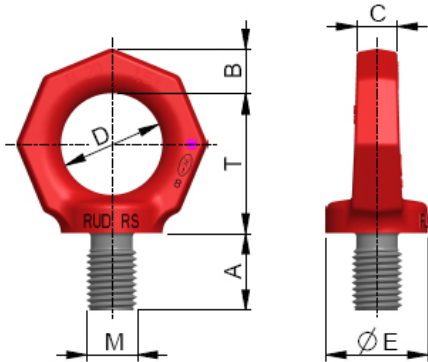


- **Considerably higher WLL** (in comparison to DIN 580/582) at vertical load.
- **Large thread and WLL range** (M6-M48, 0.1 t – 8 t).
- **Clear marking of the minimum WLL for all loading directions**
- Quick and easy installation with just one bolt connection.
- In accordance with the test principles of DGUV GS-OA-15-04, eyebolts with rigid eyes serve as mounting aids, e.g. on motors and gear units. There is a trade association clearance certificate available for using the high-strength RUD RS eyebolts.

Other important RUD specific information and specialities to our RUD lifting points can be found in the specific user instruction.

Eye bolt RS-M36

Artikel-Nr: 56954



weight	6.50 kg	14.33 lbs
Nominal WLL	4000 kg	8800 lbs
T	130 mm	5-1/8"
A	54 mm	2-1/8"
B	43 mm	1-11/16"
C	38 mm	1-1/2"
D	90 mm	3-17/32"
E	100 mm	3-15/16"
M	M36 mm	M36

Eye bolt RS-M39

Artikel-Nr: 57771

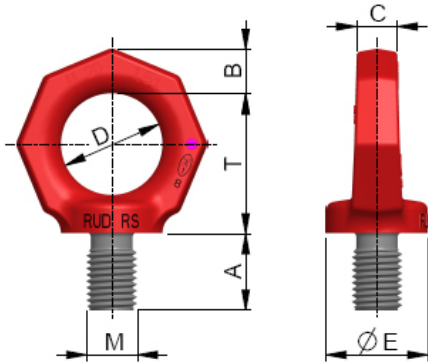


- **Considerably higher WLL** (in comparison to DIN 580/582) at vertical load.
- **Large thread and WLL range** (M6-M48, 0.1 t – 8 t).
- **Clear marking of the minimum WLL for all loading directions**
- Quick and easy installation with just one bolt connection.
- In accordance with the test principles of DGUV GS-OA-15-04, eyebolts with rigid eyes serve as mounting aids, e.g. on motors and gear units. There is a trade association clearance certificate available for using the high-strength RUD RS eyebolts.

Other important RUD specific information and specialities to our RUD lifting points can be found in the specific user instruction.

Eye bolt RS-M39

Artikel-Nr: 57771



weight	6.50 kg	14.33 lbs
Nominal WLL	5000 kg	11000 lbs
T	130 mm	5-1/8"
A	59 mm	2-15/16"
B	43 mm	1-11/16"
C	38 mm	1-1/2"
D	90 mm	3-17/32"
E	100 mm	3-15/16"
M	M39 mm	M39

Eye bolt RS-M42

Artikel-Nr: 56955

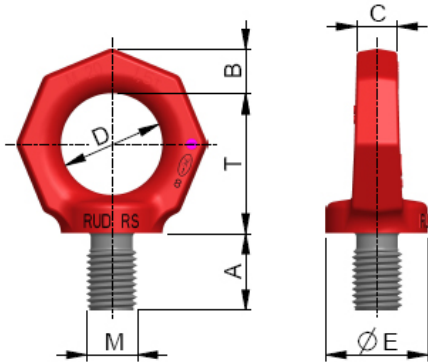


- **Considerably higher WLL** (in comparison to DIN 580/582) at vertical load.
- **Large thread and WLL range** (M6-M48, 0.1 t – 8 t).
- **Clear marking of the minimum WLL for all loading directions**
- Quick and easy installation with just one bolt connection.
- In accordance with the test principles of DGUV GS-OA-15-04, eyebolts with rigid eyes serve as mounting aids, e.g. on motors and gear units. There is a trade association clearance certificate available for using the high-strength RUD RS eyebolts.

Other important RUD specific information and specialities to our RUD lifting points can be found in the specific user instruction.

Eye bolt RS-M42

Artikel-Nr: 56955



weight	6.50 kg	14.33 lbs
Nominal WLL	6000 kg	13200 lbs
T	130 mm	5-1/8"
A	63 mm	2-15/32"
B	43 mm	1-11/16"
C	38 mm	1-1/2"
D	90 mm	3-17/32"
E	100 mm	3-15/16"
M	M42 mm	M42

Eye bolt RS-M45

Artikel-Nr: 58044



- **Considerably higher WLL** (in comparison to DIN 580/582) at vertical load.
- **Large thread and WLL range** (M6-M48, 0.1 t – 8 t).
- **Clear marking of the minimum WLL for all loading directions**
- Quick and easy installation with just one bolt connection.
- In accordance with the test principles of DGUV GS-OA-15-04, eyebolts with rigid eyes serve as mounting aids, e.g. on motors and gear units. There is a trade association clearance certificate available for using the high-strength RUD RS eyebolts.

Other important RUD specific information and specialities to our RUD lifting points can be found in the specific user instruction.

Eye bolt RS-M45

Artikel-Nr: 58044



weight	6.50 kg	14.33 lbs
Nominal WLL	7000 kg	15430 lbs
T	130 mm	5-1/8"
A	67 mm	2-5/8"
B	43 mm	1-11/16"
C	38 mm	1-1/2"
D	90 mm	3-17/32"
E	100 mm	3-15/16"
M	M45 mm	M45

Eye bolt RS-M48

Artikel-Nr: 56956

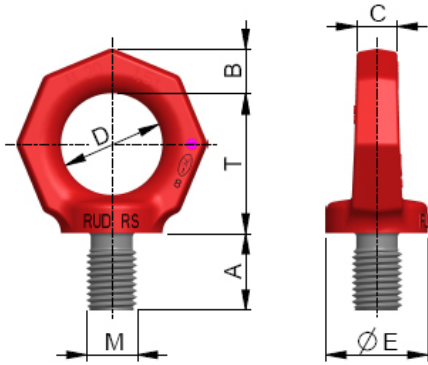


- **Considerably higher WLL** (in comparison to DIN 580/582) at vertical load.
- **Large thread and WLL range** (M6-M48, 0.1 t – 8 t).
- **Clear marking of the minimum WLL for all loading directions**
- Quick and easy installation with just one bolt connection.
- In accordance with the test principles of DGUV GS-OA-15-04, eyebolts with rigid eyes serve as mounting aids, e.g. on motors and gear units. There is a trade association clearance certificate available for using the high-strength RUD RS eyebolts.

Other important RUD specific information and specialities to our RUD lifting points can be found in the specific user instruction.

Eye bolt RS-M48

Artikel-Nr: 56956



weight	6.50 kg	14.33 lbs
Nominal WLL	8000 kg	17600 lbs
T	130 mm	5-1/8"
A	67 mm	2-5/8"
B	43 mm	1-11/16"
C	38 mm	1-1/2"
D	90 mm	3-17/32"
E	100 mm	3-15/16"
M	M48 mm	M48