

WIRE ROPE WINCH (TIRFOR)

SPECIFICATION FOR 800KG TO 3200KG

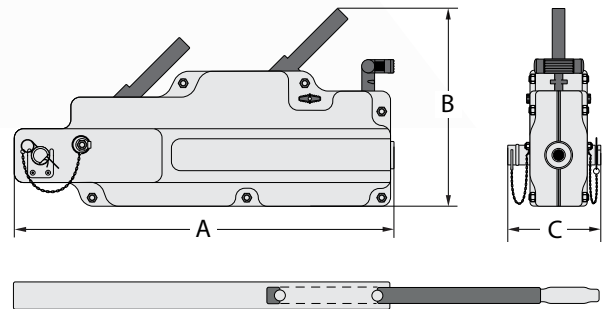
WIRE ROPE WINCH

Austlift wire rope hoist are used for lifting and hauling loads in general hoisting operation such as mining, construction, industrial lifting and domestic applications. Wire rope hoist are also ideally used for 4WD off road recovery.



APPLICATION

- Building construction sites
- Ship building yards
- Crane production sites
- Mine production sites
- Engineering Workshops
- Compact lightweight and robust in construction.
- Recommended for portable applications.
- Able to be operated at any angle for ease to handling.
- Hoists come with wire rope, longer lengths available.
- Hoists are individually proof tested and serial numbered.
- All hoists have spare shear pins in handle.
- All components are in box.



WLL (kg)	PRODUCT		NT. (kg)		DIMENSIONS (mm)			PULLING CAPACITY (kg)	PULLING EFFORT (N)	WIRE ROPE (mm)	WIRE ROPE	ADVANCE / PULL (mm)	HANDLE FORCE (N)
	CASE	CODE	WINCH ONLY	WIRE ROPE	A	B	C						
800	Aluminium	135008	7.5	8	426	236	64	1250	341	8.3	6x19S+IWRC	52	343
	Steel	135108	9	8	440	265	63						
1,600	Aluminium	135016	14.5	12	545	280	97	2500	438	11	6x25Fi+IWRC	55	438
	Steel	135116	16.5	12	550	300	77						
3,200	Aluminium	135032	23.5	24	660	325	116	5000	438	16	6x25Fi+IWRC	28	438
	Steel	135132	31	24	690	350	91						