

STARPOINT eye nut VRM-M6

Artikel-Nr: 7900786

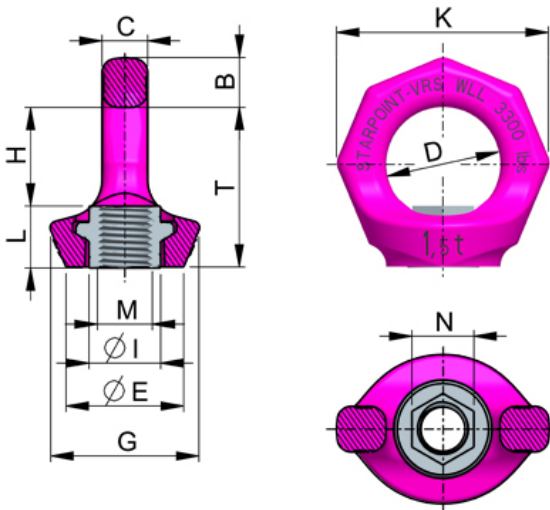


- Lifting points pivots 360° for an easy adjustment in load direction.
- Clear marking of the minimum WLL for all loading directions.
- The WLL statement corresponds to the minimum WLL in all loading directions. Higher WLL possible when location and installation is optimised (compare WLL chart).
- Available as: - Standard Metric Thread M6-M30 (DIN EN 13)
- Special coating on request.
- Component according to the test criterias of BG/DGUV "GS-OA-15-04".
- Quick and easy installation with just one bolt connection.
- Hand tightening with appropriate wrench is sufficient for a singular lift.

Other important RUD specific information and specialities to our RUD lifting points can be found in the specific user instruction.

STARPOINT eye nut VRM-M6

Artikel-Nr: 7900786



weight	0.06 kg	0.13 lbs
Nominal WLL	100 kg	220 lbs
T	28 mm	1-1/8"
B	9 mm	11/32"
C	7 mm	9/32"
D	20 mm	3/4"
E	23 mm	29/32"
G	28 mm	1-1/8"
H	17 mm	43/64"
I	13 mm	1/2"
K	37 mm	1-7/16"
L	11 mm	7/16"
M	M6 mm	M6
N	9 mm	11/32"

STARPOINT eye nut VRM-M8

Artikel-Nr: 7992989

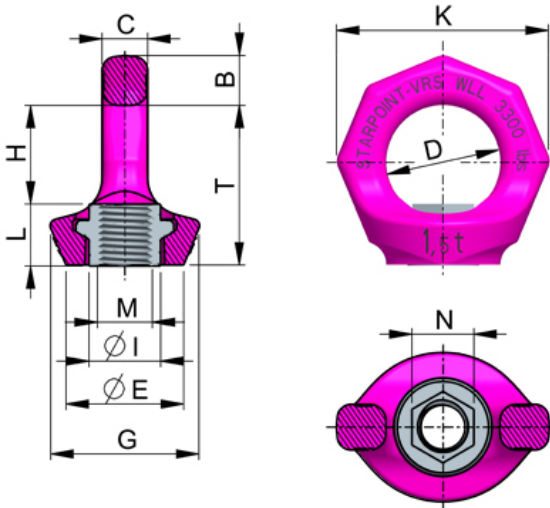


- Lifting points pivots 360° for an easy adjustment in load direction.
- Clear marking of the minimum WLL for all loading directions.
- The WLL statement corresponds to the minimum WLL in all loading directions. Higher WLL possible when location and installation is optimised (compare WLL chart).
- Available as: - Standard Metric Thread M6-M30 (DIN EN 13)
- Special coating on request.
- Component according to the test criterias of BG/DGUV "GS-OA-15-04".
- Quick and easy installation with just one bolt connection.
- Hand tightening with appropriate wrench is sufficient for a singular lift.

Other important RUD specific information and specialities to our RUD lifting points can be found in the specific user instruction.

STARPOINT eye nut VRM-M8

Artikel-Nr: 7992989



weight	0.11 kg	0.24 lbs
Nominal WLL	300 kg	660 lbs
T	35 mm	1-3/8"
B	11 mm	7/16"
C	9 mm	11/32"
D	25 mm	63/64"
E	25 mm	63/64"
G	30 mm	1-3/16"
H	21 mm	13/16"
I	16 mm	5/8"
K	47 mm	1-7/8"
L	14 mm	9/16"
M	M8 mm	M8
N	12 mm	15/32"

STARPOINT eye nut VRM-M10

Artikel-Nr: 7990311

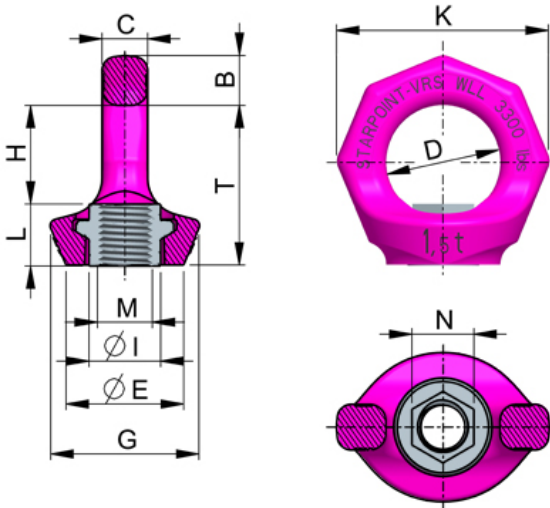


- Lifting points pivots 360° for an easy adjustment in load direction.
- Clear marking of the minimum WLL for all loading directions.
- The WLL statement corresponds to the minimum WLL in all loading directions. Higher WLL possible when location and installation is optimised (compare WLL chart).
- Available as: - Standard Metric Thread M6-M30 (DIN EN 13)
- Special coating on request.
- Component according to the test criterias of BG/DGUV "GS-OA-15-04".
- Quick and easy installation with just one bolt connection.
- Hand tightening with appropriate wrench is sufficient for a singular lift.

Other important RUD specific information and specialities to our RUD lifting points can be found in the specific user instruction.

STARPOINT eye nut VRM-M10

Artikel-Nr: 7990311



weight	0.11 kg	0.24 lbs
Nominal WLL	400 kg	880 lbs
T	35 mm	1-3/8"
B	11 mm	7/16"
C	9 mm	11/32"
D	25 mm	63/64"
E	25 mm	63/64"
G	30 mm	1-3/16"
H	21 mm	13/16"
I	16 mm	5/8"
K	47 mm	1-7/8"
L	14 mm	9/16"
M	M10 mm	M10
N	12 mm	15/32"

STARPOINT eye nut VRM-M12

Artikel-Nr: 7990312

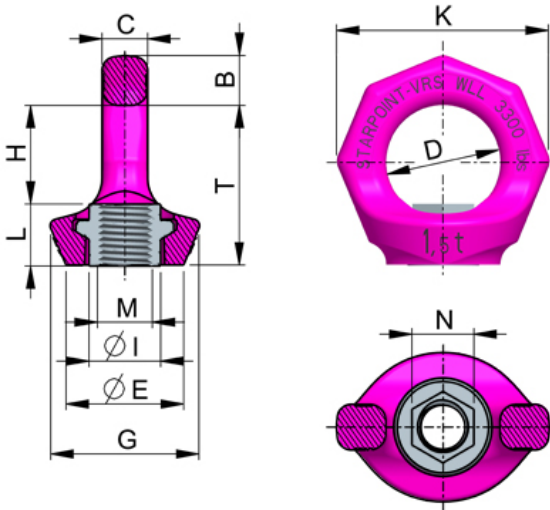


- Lifting points pivots 360° for an easy adjustment in load direction.
- Clear marking of the minimum WLL for all loading directions.
- The WLL statement corresponds to the minimum WLL in all loading directions. Higher WLL possible when location and installation is optimised (compare WLL chart).
- Available as: - Standard Metric Thread M6-M30 (DIN EN 13)
- Special coating on request.
- Component according to the test criterias of BG/DGUV "GS-OA-15-04".
- Quick and easy installation with just one bolt connection.
- Hand tightening with appropriate wrench is sufficient for a singular lift.

Other important RUD specific information and specialities to our RUD lifting points can be found in the specific user instruction.

STARPOINT eye nut VRM-M12

Artikel-Nr: 7990312



weight	0.18 kg	0.40 lbs
Nominal WLL	750 kg	1650 lbs
T	42 mm	1-21/32"
B	13 mm	1/2"
C	10 mm	3/8"
D	30 mm	1-3/16"
E	30 mm	1-3/16"
G	34 mm	1-11/32"
H	25 mm	63/64"
I	20 mm	3/4"
K	56 mm	2-3/16"
L	17 mm	43/64"
M	M12 mm	M12
N	14 mm	9/16"

STARPOINT eye nut VRM-M16

Artikel-Nr: 7990314

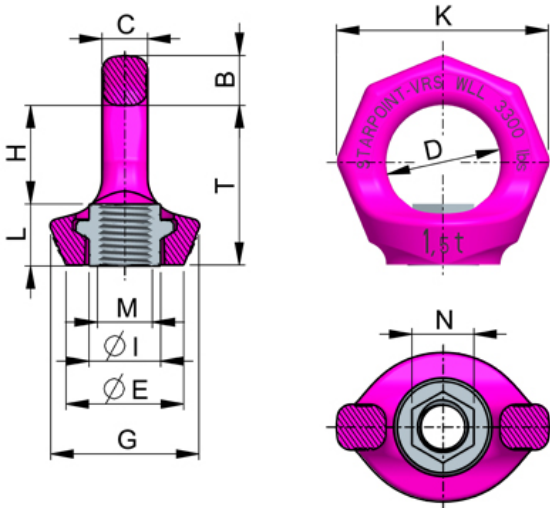


- Lifting points pivots 360° for an easy adjustment in load direction.
- Clear marking of the minimum WLL for all loading directions.
- The WLL statement corresponds to the minimum WLL in all loading directions. Higher WLL possible when location and installation is optimised (compare WLL chart).
- Available as: - Standard Metric Thread M6-M30 (DIN EN 13)
- Special coating on request.
- Component according to the test criterias of BG/DGUV "GS-OA-15-04".
- Quick and easy installation with just one bolt connection.
- Hand tightening with appropriate wrench is sufficient for a singular lift.

Other important RUD specific information and specialities to our RUD lifting points can be found in the specific user instruction.

STARPOINT eye nut VRM-M16

Artikel-Nr: 7990314



weight	0.32 kg	0.71 lbs
Nominal WLL	1500 kg	3300 lbs
T	49 mm	1-15/16"
B	15 mm	19/32"
C	13 mm	1/2"
D	35 mm	1-3/8"
E	36 mm	1-27/64"
G	40 mm	1-9/16"
H	29 mm	1-7/32"
I	22 mm	7/8"
K	65 mm	2-9/16"
L	21 mm	13/16"
M	M16 mm	M16
N	19 mm	3/4"

STARPOINT eye nut VRM-M20

Artikel-Nr: 7990315

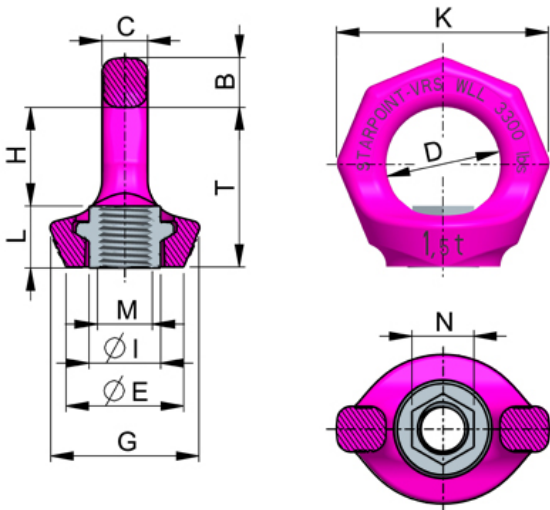


- Lifting points pivots 360° for an easy adjustment in load direction.
- Clear marking of the minimum WLL for all loading directions.
- The WLL statement corresponds to the minimum WLL in all loading directions. Higher WLL possible when location and installation is optimised (compare WLL chart).
- Available as: - Standard Metric Thread M6-M30 (DIN EN 13)
- Special coating on request.
- Component according to the test criterias of BG/DGUV "GS-OA-15-04".
- Quick and easy installation with just one bolt connection.
- Hand tightening with appropriate wrench is sufficient for a singular lift.

Other important RUD specific information and specialities to our RUD lifting points can be found in the specific user instruction.

STARPOINT eye nut VRM-M20

Artikel-Nr: 7990315



weight	0.48 kg	1.06 lbs
Nominal WLL	2300 kg	5070 lbs
T	58 mm	2-9/32"
B	17 mm	43/64"
C	16 mm	5/8"
D	40 mm	1-9/16"
E	41 mm	1-5/8"
G	50 mm	1-31/32"
H	35 mm	1-3/8"
I	29 mm	1-5/32"
K	76 mm	3"
L	23 mm	29/32"
M	M20 mm	M20
N	24 mm	15/16"

STARPOINT eye nut VRM-M24

Artikel-Nr: 7990316

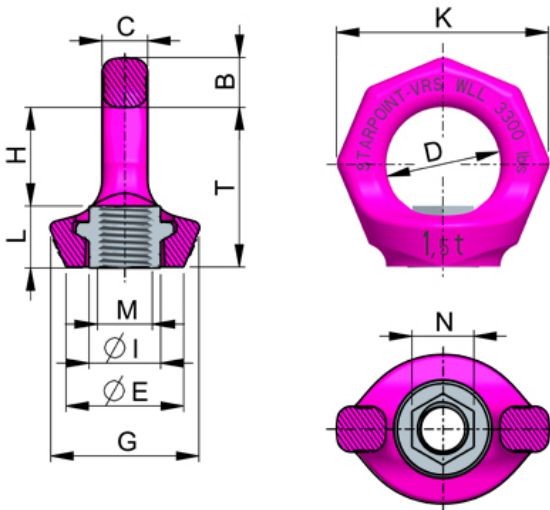


- Lifting points pivots 360° for an easy adjustment in load direction.
- Clear marking of the minimum WLL for all loading directions.
- The WLL statement corresponds to the minimum WLL in all loading directions. Higher WLL possible when location and installation is optimised (compare WLL chart).
- Available as: - Standard Metric Thread M6-M30 (DIN EN 13)
- Special coating on request.
- Component according to the test criterias of BG/DGUV "GS-OA-15-04".
- Quick and easy installation with just one bolt connection.
- Hand tightening with appropriate wrench is sufficient for a singular lift.

Other important RUD specific information and specialities to our RUD lifting points can be found in the specific user instruction.

STARPOINT eye nut VRM-M24

Artikel-Nr: 7990316



weight	0.83 kg	1.83 lbs
Nominal WLL	3200 kg	7050 lbs
T	70 mm	2-3/4"
B	20 mm	3/4"
C	19 mm	3/4"
D	49 mm	1-15/16"
E	51 mm	2"
G	60 mm	2-3/8"
H	41 mm	1-5/8"
I	35 mm	1-3/8"
K	92 mm	3-5/8"
L	29 mm	1-5/32"
M	M24 mm	M24
N	30 mm	1-3/16"

STARPOINT eye nut VRM-M30

Artikel-Nr: 7993008

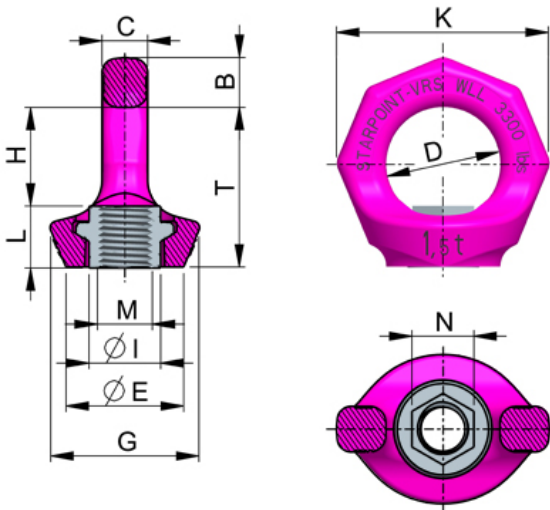


- Lifting points pivots 360° for an easy adjustment in load direction.
- Clear marking of the minimum WLL for all loading directions.
- The WLL statement corresponds to the minimum WLL in all loading directions. Higher WLL possible when location and installation is optimised (compare WLL chart).
- Available as: - Standard Metric Thread M6-M30 (DIN EN 13)
- Special coating on request.
- Component according to the test criterias of BG/DGUV "GS-OA-15-04".
- Quick and easy installation with just one bolt connection.
- Hand tightening with appropriate wrench is sufficient for a singular lift.

Other important RUD specific information and specialities to our RUD lifting points can be found in the specific user instruction.

STARPOINT eye nut VRM-M30

Artikel-Nr: 7993008



weight	1.32 kg	2.91 lbs
Nominal WLL	4500 kg	9920 lbs
T	87 mm	3-7/16"
B	26 mm	1"
C	24 mm	15/16"
D	60 mm	2-3/8"
E	66 mm	2-5/8"
G	75 mm	2-15/16"
H	51 mm	2"
I	44 mm	1-3/4"
K	114 mm	4-1/2"
L	36 mm	1-27/64"
M	M30 mm	M30
N	36 mm	1-27/64"