

JANUARY 2022

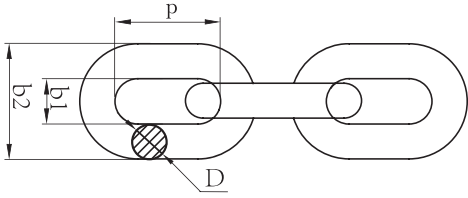
TiTAN
LIFTING TECHNOLOGIES

GRADE 100

PRODUCT CATALOGUE



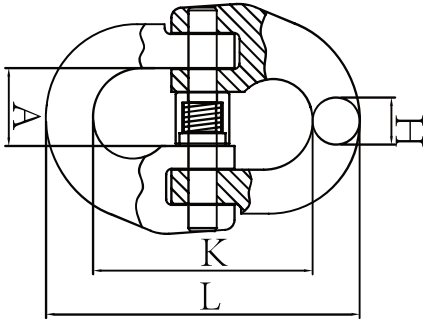
TiTAN
LIFTING TECHNOLOGIES



TITAN G100 CHAIN - BLUE ELECTROPHORETIC FINISH TCG10BLE

ITEM NO.	WLL/T	D (mm)	p (mm)	b1 (mm) min	b2 (mm) max	
TCG10BLE-6	6mm	1.4	6±0.2	18	9±0.2	21
TCG10BLE-8	8mm	2.5	8±0.2	24	11.5±0.2	27.5
TCG10BLE-10	10mm	4	10±0.2	30	14.5±0.2	34
TCG10BLE-13	13mm	6.7	13±0.2	39	19±0.2	45
TCG10BLE-16	16mm	10	16±0.2	48	23.5±0.2	55.5
TCG10BLE-20	20mm	16	20±0.2	60	28±0.2	68

TITAN G100 CONNECTING LINK T1001CL



STANDARD FEATURES

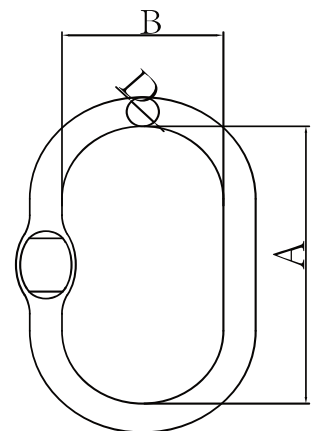
- Forged super alloy steel - Quenched and Tempered
- Suitable for EN 818 G100 chains
- Complies with AS3776/EN1677
- Individually proof tested at 2.5 times WLL
- Fatigue tested at 1.5 x WLL for 20,000 cycles
- 100% Magnaflux crack detection
- All load pins are 100% individually inspected and batch tested
- Electro galvanised Spring Sleeve & Pin
- Blue Powder Plastified Finish
- Mill & Test Certificates available

ITEM NO.	WEIGHT kg	WLL/T	H±1	A±1.5	K±2	L±2.5
T1001CL-06	0.1	1.4	7.6	14	44.5	60
T1001CL-08	0.22	2.5	10	18.5	61.5	84.5
T1001CL-10	0.45	4	12.6	23	72	97.2
T1001CL-13	1.15	6.7	16.8	27.5	89	127
T1001CL-16	1.75	10	21	33.5	103	145
T1001CL-20	2.7	16	24.5	42	116	175
T1001CL-22	4.02	19	27	48	135	193
T1001CL-26	5.1	26.5	32	61	164	228

TITAN G100 MASTER SINGLE HEAD RING T1013SR

STANDARD FEATURES

- Forged super alloy steel - Quenched and Tempered
- Suitable for EN 818 G100 chains
- Complies with AS3776/EN1677
- Single oblong links allow flexibility in the construction of single or double chain slings including wire rope
- Comes with flat section
- Individually proof tested at 2.5 times WLL
- Fatigue tested at 1.5 x WLL for 20,000 cycles
- 100% Magnaflux crack detection
- Blue Powder Plastified Finish
- Mill & Test Certificates available



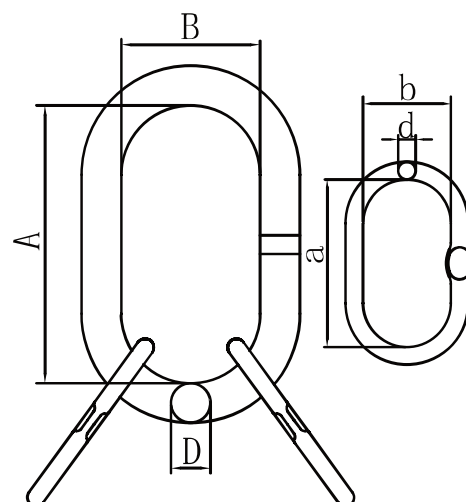
ITEM NO.	1 LEG SIZE	1 LEG WLL	2 LEG SIZE	2 LEG WLL	WEIGHT kg	A	B	D
T1013SR-86	8	2.5	6	2.4	0.4	120	70	14
T1013SR-108	10	4	8	4.3	0.8	140	80	17
T1013SR-1310	13	6.7	10	6.9	1.5	160	95	22
T1013SR-1613	16	10	13	11.6	2.5	190	110	28
T1013SR-2016	20	16	16	17.3	5.2	240	140	34
T1013SR-2220	22	19	20	27.7	7.7	250	150	42

TITAN G100 MULTI LINK ASSEMBLY WITH MEDIUM SUB LINKS T1015MR-M

STANDARD FEATURES



- Forged super alloy steel - Quenched and Tempered
- Suitable for EN 818 G100 chains
- Complies with AS3776/EN1677
- Master link & 2 medium size intermediate links for 2, 3 or 4 leg chain slings and wire rope slings
- Comes with flat section
- Individually proof tested at 2.5 times WLL
- Fatigue tested at 1.5 x WLL for 20,000 cycles
- 100% Magnaflux crack detection
- Blue Powder Plastified Finish
- Mill & Test Certificates available



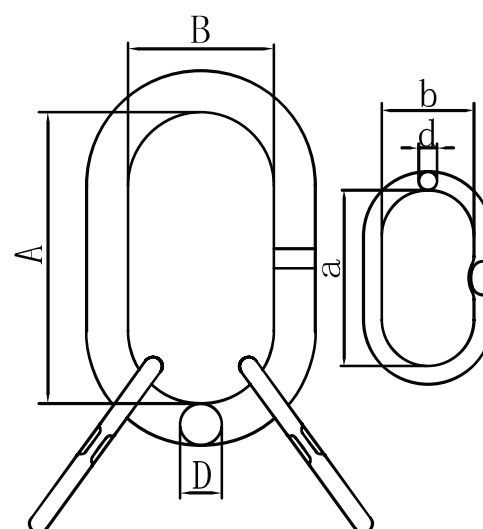
ITEM NO.	WEIGHT kg	WLL/T	A	B	D	a	b	d
T1015MR-M-6	1.8	2.4	150	90	19	120	70	14
T1015MR-M-8	3	4.3	160	95	22	140	80	17
T1015MR-M-10	6.5	6.9	200	120	30	160	95	22
T1015MR-M-13	15	11.6	250	150	40	200	120	30
T1015MR-M-16	23	17.3	300	200	50	200	120	32

TITAN G100 MULTI LINK ASSEMBLY WITH SHORT SUB LINKS T1012MRS-S

STANDARD FEATURES



- Forged super alloy steel - Quenched and Tempered
- Suitable for EN 818 G100 chains
- Complies with AS3776/EN1677
- Master link & 2 small size intermediate links for 2, 3 or 4 leg chain slings and wire rope slings
- Comes with flat section
- Individually proof tested at 2.5 times WLL
- Fatigue tested at 1.5 x WLL for 20,000 cycles
- 100% Magnaflux crack detection
- Blue Powder Plastified Finish
- Mill & Test Certificates available

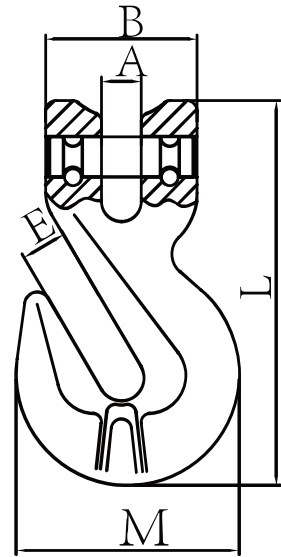


ITEM NO.	3-4 LEG SLING	WEIGHT kg	WLL/T	A	B	D	a	b	d
T1012MR-S-6	6MM	1.3	2.4	135	75	19	54	25	13
T1012MR-S-8	8MM	2.33	4.3	160	90	23	70	35	16.5
T1012MR-S-10	10MM	3.7	6.9	180	100	27	85	40	19
T1012MR-S-13	13MM	6.5	11.6	200	110	33	115	50	23
T1012MR-S-16	16MM	10.1	17.3	260	140	36	140	65	27
T1012MR-S-20	20MM	22.8	27.7	350	190	50	150	70	33
T1012MR-S-22	22MM	26	32.9	350	190	50	180	100	36

TITAN G100 CLEVIS SHORTENING GRAB HOOK T1009CSH

STANDARD FEATURES

- The clevis enables a direct connection to G100 chain
- Acts as a Shortener and Adjust the length of the chain
- Forged super alloy steel - Quenched and Tempered
- Suitable for EN 818 G100 chains
- Complies with AS3776/EN1677
- Individually proof tested at 2.5 times WLL
- Fatigue tested at 1.5 x WLL for 20,000 cycles
- 100% Magnaflux crack detection
- All load pins are 100% individually inspected and batch tested
- Blue Powder Plastified Finish with Black Oxide Pins
- Mill & Test Certificates available

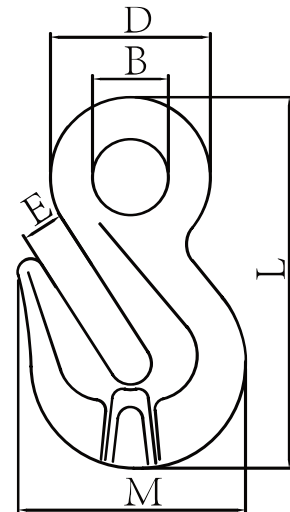


ITEM NO.	WEIGHT kg	WLL/T	A±0.5	B±1.5	E±1	M±2	L±2
T1009CSH-06	0.22	1.4	7.5	32	8	43.5	75
T1009CSH-08	0.34	2.5	9.5	36	10.8	53	91.5
T1009CSH-10	0.82	4	12	46	13.5	72	126
T1009CSH-13	1.75	6.7	15	59	16.5	96	163.5
T1009CSH-16	2.88	10	17.5	70	19.2	112.5	183.5
T1009CSH-20	4.84	16	24	85	24	143	224
T1009CSH-22	8.3	19	27	100	27	160.5	262

TITAN G100 EYE SHORTENING GRAB HOOK T1008ESH

STANDARD FEATURES

- Eye enables connection to G100 Connecting Link
- Acts as a Shortener and Adjust the length of the chain
- Forged super alloy steel - Quenched and Tempered
- Suitable for EN 818 G100 chains
- Complies with AS3776/EN1677
- Individually proof tested at 2.5 times WLL
- Fatigue tested at 1.5 x WLL for 20,000 cycles
- 100% Magnaflux crack detection
- Blue powder plastified finish
- Mill & Test Certificates available



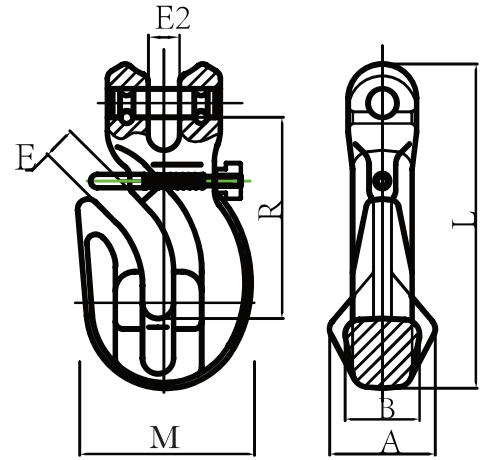
ITEM NO.	WEIGHT kg	WLL/T	E±1	B±1	D±1.5	Mt2	L±3
T1008ESH-06	0.2	1.4	8	14.5	30.5	43.5	71
T1008ESH-08	0.28	2.5	10.8	18	37	53	91.5
T1008ESH-10	0.72	4	13.5	22.5	48.5	72	127.5
T1008ESH-13	1.6	6.7	16.5	28	59	96	163
T1008ESH-16	2.45	10	19.2	36	74	112.5	183
T1008ESH-20	4.72	16	24	43.5	89.5	143	227
T1008ESH-22	8.2	19	27	48.5	100.5	160.5	260.5

TITAN G100 CLEVIS SHORTENING GRAB HOOK WITH SAFETY PIN T1024CSHSP

STANDARD FEATURES



- The clevis enables a direct connection to G100 chain
- Acts as a Shortener and Adjust the length of the chain
- Safety Pin to lock in G100 chain
- Forged super alloy steel - Quenched and Tempered
- Suitable for EN 818 G100 chains
- Complies with AS3776/EN1677
- Individually proof tested at 2.5 times WLL
- Fatigue tested at 1.5 x WLL for 20,000 cycles
- 100% Magnaflux crack detection
- All load pins are 100% individually inspected and batch tested
- Blue Powder Plastified Finish
- Pins in Black Oxide finish
- Safety Pin Assembly is Electro Zinc Galvanised
- Mill & Test Certificates available
- Safety Pins available as spare parts



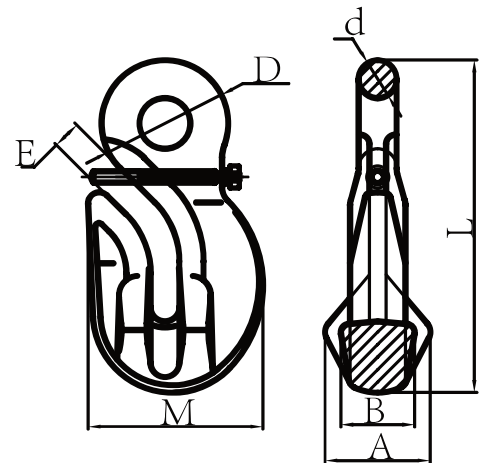
ITEM NO.	WEIGHT kg	WLL/T	A±1	B±0.8	R±1.5	E2±0.5	E±0.8	L±3	M
T1024CSHSP-8	0.62	2.5	35	25	66	10.5	10.5	108	58+/-2
T1024CSHSP-10	1.16	4	44	32	82	12	13	134	71.6+/-3
T1024CSHSP-13	2.6	6.7	57	40	107	15	15.5	175	96+/-4

TITAN G100 EYE SHORTENING GRAB HOOK WITH SAFETY PIN T1023ESHSP

STANDARD FEATURES



- Eye enables connection to G100 Connecting Link
- Acts as a Shortener and Adjust the length of the chain
- Safety Pin to lock in G100 chain
- Forged super alloy steel - Quenched and Tempered
- Suitable for EN 818 G100 chains
- Complies with AS3776/EN1677
- Individually proof tested at 2.5 times WLL
- Fatigue tested at 1.5 x WLL for 20,000 cycles
- 100% Magnaflux crack detection
- Blue powder plastified finish
- Safety Pin Assembly is Electro Zinc Galvanised
- Mill & Test Certificates available
- Safety Pins available as spare parts

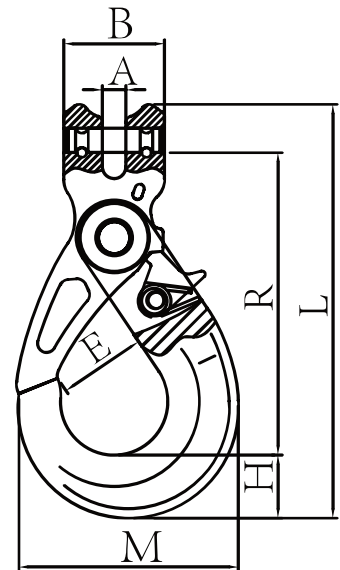


ITEM NO.	WEIGHT kg	WLL/T	A±1	B±0.8	d±0.5	D±0.5	E±0.5	L±2	M
T1023ESHSP-8	0.5	2.5	35	25	12	16.5	10.5	110	58+/-2
T1023ESHSP-10	1	4	64	32	15	21	14	136.5	71.6+/-3
T1023ESHSP-13	2.2	6.7	57	40	20.5	27.5	15.5	180	96+/-4

TITAN G100 CLEVIS SELF LOCKING HOOK T1006CSLH

STANDARD FEATURES

- Self-locking hook which locks upon engaging a load. Trigger mechanism for disengaging loads
- The clevis enables a direct connection to G100 chain
- Forged super alloy steel - Quenched and Tempered
- Suitable for EN 818 G100 chains
- Complies with AS3776/EN1677
- Individually proof tested at 2.5 times WLL
- Fatigue tested at 1.5 x WLL for 20,000 cycles
- 100% Magnaflux crack detection
- All load pins are 100% individually inspected and batch tested
- Blue Powder Plastified Finish with Black Oxide Pins
- Mill & Test Certificates available
- Trigger Kits available as spare parts

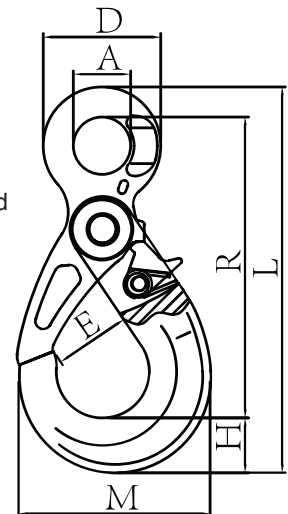


ITEM NO.	WEIGHT kg	WLL/T	A±0.5	B±1	E±1	H±1	R±2	M±2	L±3
T1006CSLH-06	0.5	1.4	7.5	32	28	20	96	70	131
T1006CSLH-08	0.9	2.5	9.5	36	35.5	26	123	90	166
T1006CSLH-10	1.6	4	12	46	45	30	144	109	196.5
T1006CSLH-13	2.9	6.7	15	59	53.5	40.5	182	138.5	251
T1006CSLH-16	5.8	10	17.5	70	62	50.5	217	170.5	303
T1006CSLH-20	8.6	16	25	85	76.5	62	235	192.5	337.5
T1006CSLH-22	12.1	19	25.5	98	80	66	276.5	205	391

TITAN G100 EYE SELF LOCKING HOOK T1005ESLH

STANDARD FEATURES

- Self-locking hook which locks upon engaging a load. Trigger mechanism for disengaging loads
- Large eye to enable assembling hook to wire rope (thimble)
- Flat section on eye to enable assembly to Omega Links and Connectors
- Once opened the hook will remain open until load is engaged
- Forged super alloy steel - Quenched and Tempered
- Suitable for EN 818 G100 chains
- Complies with AS3776/EN1677
- Individually proof tested at 2.5 times WLL
- Fatigue tested at 1.5 x WLL for 20,000 cycles
- 100% Magnaflux crack detection
- Blue Powder Plastified Finish
- Mill & Test Certificates available
- Trigger Kits available as spare parts



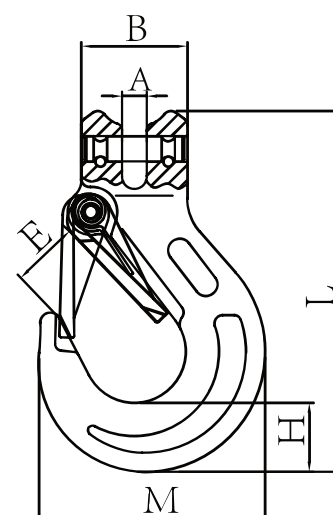
ITEM NO.	WEIGHT kg	WLL/T	A±1	D±1	E±0.5	R±1	M±2	L±3	H±1
T1005ESLH-06	0.5	1.4	21	43	28	110	70	141	15
T1005ESLH-08	0.9	2.5	27	51	35.5	137	90	175	20
T1005ESLH-10	1.5	4	34.5	64.5	45	169	108	212.5	26
T1005ESLH-13	2.7	6.7	40	80	53.5	209	138.5	270	32.5
T1005ESLH-16	5.7	10	50	104	62	254	170.5	331	38
T1005ESLH-20	7.9	16	60	120	76.5	277	192.5	369	50
T1005ESLH-22	11.2	19	70	134	80	319.5	205	417	52

TITAN G100 CLEVIS SLING HOOK C/W CAST LATCH T1004CSH

STANDARD FEATURES



- The clevis enables a direct connection to G100 chain
- Forged super alloy steel - Quenched and Tempered
- Suitable for EN 818 G100 chains
- Complies with AS3776/EN1677
- Individually proof tested at 2.5 times WLL
- Fatigue tested at 1.5 x WLL for 20,000 cycles
- 100% Magnaflux crack detection
- All load pins are 100% individually inspected and batch tested
- Blue Powder Plastified Finish including latch kit
- Pins in Black Oxide finish
- Mill & Test Certificates available



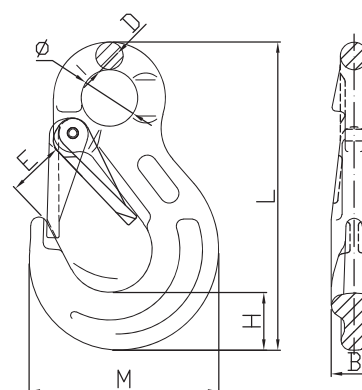
ITEM NO.	WEIGHT kg	WLL/T	A±0.5	B±1	E±1.5	H±1	M±2	L±2.s
T1004CSH-06	0.33	1.4	7.5	32	18.5	21	68.5	109
T1004CSH-08	0.7	2.5	9.5	37	25	27.5	88	134
T1004CSH-10	1.3	4	12	48	28	33.5	105.5	161.5
T1004CSH-13	2.3	6.7	15	59	38	42	134	203
T1004CSH-16	3.6	10	17.5	70	44	50	160.5	248
T1004CSH-20	7.3	16	25	85	52	56	190.5	297
T1004CSH-22	12.1	19	27	100	66	62	214.5	326

TITAN G100 EYE SLING HOOK C/W CAST LATCH T1003ESH

STANDARD FEATURES



- Large eye to enable assembling hook to wire rope (thimble)
- Flat section on eye to enable assembly to Omega Links
- Forged super alloy steel - Quenched and Tempered
- Suitable for EN 818 G100 chains
- Complies with AS3776/EN1677
- Individually proof tested at 2.5 times WLL
- Fatigue tested at 1.5 x WLL for 20,000 cycles
- 100% Magnaflux crack detection
- Blue Powder Plastified Finish including latch kit
- Mill & Test Certificates available
- Latch Kits available as spare parts



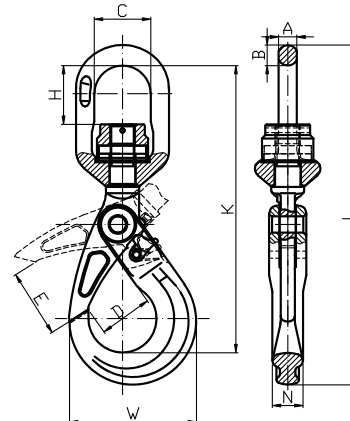
ITEM NO.	WEIGHT kg	WLL/T	B±1	D±1	E±2	H±1	Ø±1	M±2	L±2.5
T1003ESH-06	0.32	1.4	16.5	10	18.5	21	20.5	68	111
T1003ESH-07	0.4	1.9	15	11	25.5	26	25	86.9	137
T1003ESH-08	0.6	2.5	19	11	25	27.5	25	87.6	137
T1003ESH-10	1.2	4	26	16	29.5	32	35	106.4	171.5
T1003ESH-13	2.2	6.7	33	19	38	43.5	43	134	219
T1003ESH-16	3.5	10	40	24.5	46	50	51	158	260
T1003ESH-20	6.2	16	48	27	52	56	55	190	298
T1003ESH-22	11.5	19	50	29	66	62	60	214	330
T1003ESH-26	12.2	26.5	60	35	73	75	70	245	376
T1003ESH-32	17.5	39.3	71	39	87	89	81.5	270	458

TITAN G100 SWIVEL SELF LOCKING HOOK WITH BEARING T1072SSLHWB

STANDARD FEATURES



- Self-locking hook upon engaging a load
- Trigger Release mechanism for disengaging loads
- Once opened the hook will remain open until load is engaged
- Large eye to enable assembling to wire rope (thimble)
- Flat section on swivel eye for attaching Omega Links and Connectors
- Includes ball bearing in the swivel enabling smooth and easy rotation under load
- Forged super alloy steel - Quenched and Tempered
- Suitable for EN 818 G100 chains
- Complies with AS3776/EN1677
- Individually proof tested at 2.5 times WLL
- Fatigue tested at 1.5 x WLL for 20,000 cycles
- 100% Magnaflux crack detection
- Blue Powder Plated Finish
- Mill & Test Certificates available
- Trigger Kits in self colour available as spare parts



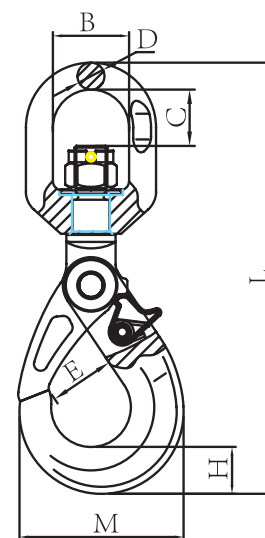
ITEM NO.	WEIGHT kg	WLL/T	A±1.5	B±1.5	C±2	D±2	E±2.5	N±1	H±3	K±3	L±5	W±3
T1072SSLHWB-6	0.67	1.4	11.5	13	37	27	30	15	32	163	196.5	70
T1072SSLHWB-8	1.21	2.5	13	15	41	35.5	40	20	39	202	243	90
T1072SSHWB-10	2.2	4	15.5	17.5	48	45	48	26	48	244	289	108
T1072SSLHWB-13	4.4	6.7	17	19	55	52.5	63	32.5	57	292	351	138
T1072SSLHWB-16	7.48	10	21.5	26	62	62	75	38	62	346	422	170
T1072SSLHWB-20	13.75	16	26.5	28.5	76	76	80	50	72	396	487	191
T1072SSLHWB-22	18.81	19	33	33	97	79	95	52	97	465	563	208

TITAN G100 SWIVEL SELF LOCKING HOOK NO BEARING T1007SSLH

STANDARD FEATURES



- Swivel Large Eye, Self-locking hook upon engaging a load
 - Trigger Release mechanism for disengaging loads
 - Once opened the hook will remain open until load is engaged
 - Large eye to enable assembling to wire rope (thimble)
 - Flat section on swivel eye for attaching Omega Links and Connectors
 - Forged super alloy steel - Quenched and Tempered
 - Suitable for EN 818 G100 chains
 - Complies with AS3776/EN1677
 - Individually proof tested at 2.5 times WLL
 - Fatigue tested at 1.5 x WLL for 20000 cycles
 - 100% Magnaflux crack detection
 - Blue Powder Plated Finish
 - Mill & Test Certificates available
 - Trigger Kits available in self colour as spare parts
- NB: This product does NOT have a bearing



ITEM NO.	WEIGHT kg	WLL/T	B±1	C±1	D±0.5	E±1	H±1	M±2	L±3
T1007SSLH-06	0.6	1.4	32.5	23	11.5	28	20	70	184
T1007SSLH-08	1.1	2.5	36	28.5	13	35.5	26	90	226
T1007SSLH-10	2	4	42	35	15.5	45	30	108	269
T1007SSLH-13	4	6.7	50	41	17	53.6	43	138.5	327
T1007SSLH-16	6.8	10	61	58	21.5	62	50.5	170	413
T1007SSLH-20	12.5	16	72	63	26	76.5	62	192.5	460
T1007SSLH-22	17.1	19	97	98	33	80	65	205	566

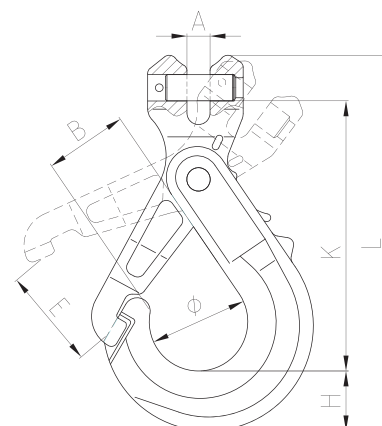
TITAN G100 CLEVIS SELF LOCKING HOOK WITH GRIP LATCH T1017CSLHGL

STANDARD FEATURES



- Special grip latch in forging for additional secure closing and safety
- Self-locking hook upon engaging a load
- Trigger Release mechanism for disengaging loads
- The clevis enables a direct connection to G100 chain
- Forged super alloy steel - Quenched and Tempered
- Suitable for EN 818 G100 chains
- Complies with AS3776/EN1677
- Individually proof tested at 2.5 times WLL
- Fatigue tested at 1.5 x WLL for 20,000 cycles
- 100% Magnaflux crack detection
- All load pins are 100% individually inspected and batch tested

- Blue Powder Plastified Finish with Black Oxide Pins
- Mill & Test Certificates available
- Trigger Kits available as spare parts



ITEM NO.	WEIGHT kg	WLL/T	A±0.5	B±1.5	E±2	H±1	K±3	L±3	Ø±2
T1017CSLHGL-08	0.75	2.5	9.5	37.5	35	21	118	165	45
T1017CSLHGL-10	1.42	4	12.5	48	46	30	150	204	56
T1017CSLHGL-13	2.56	6.7	15	52	56	39	176	244	64
T1017CSLHGL-16	4.21	10	18.5	70	86	46.3	250	288	80

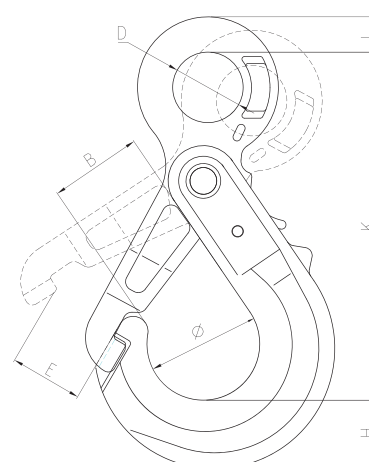
TITAN G100 EYE SELF LOCKING HOOK WITH GRIP LATCH T1016ESLHGL

STANDARD FEATURES



- Special grip latch in forging for additional secure closing and safety
- Self-locking hook upon engaging a load
- Trigger Release mechanism for disengaging loads
- Large eye to enable assembling hook to wire rope (thimble)
- Flat section on eye to enable assembly to Omega Links and Connectors
- Forged super alloy steel - Quenched and Tempered
- Suitable for EN 818 G100 chains
- Complies with AS3776/EN1677
- Individually proof tested at 2.5 times WLL
- Fatigue tested at 1.5 x WLL for 20,000 cycles
- 100% Magnaflux crack detection
- All load pins are 100% individually inspected and batch tested

- Blue Powder Plastified Finish with Black Oxide Pins
- Mill & Test Certificates available
- Trigger Kits available as spare parts



ITEM NO.	WEIGHT kg	WLL/T	B±1.5	D±1.5	E±2	K±2	H±1	L±1	Ø±2
T1016ESLHGL-08	0.81	2.5	37.5	27	35	137	21	12	45
T1016ESLHGL-10	1.41	4	48	34.5	46	169	30	15	56
T1016ESLHGL-13	2.61	6.7	52	40	56	205	39	20	64
T1016ESLHGL-16	4.45	10	70	50	86	252	46.3	27	80

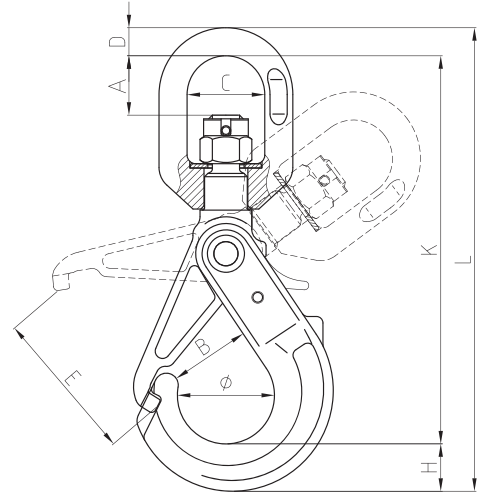
TITAN G100 SWIVEL SELF LOCKING HOOK WITH GRIP LATCH, WITH NO BEARING T1018SSLHGL

STANDARD FEATURES



- Special grip latch in forging for additional secure closing and safety
- Swivel Large Eye, Self-locking hook upon engaging a load
- Trigger Release mechanism for disengaging loads
- Large eye to enable assembling hook to wire rope (thimble)
- Flat section on eye to enable assembly to Omega Links and Connectors
- Forged super alloy steel - Quenched and Tempered
- Suitable for EN 818 G100 chains
- Complies with AS3776/EN1677
- Individually proof tested at 2.5 times WLL
- Fatigue tested at 1.5 x WLL for 20,000 cycles
- 100% Magnaflux crack detection
- All load pins are 100% individually inspected and batch tested

- Blue Powder Plastified Finish with Black Oxide Pins
 - Mill & Test Certificates available
 - Trigger Kits available as spare parts
- NB: This product does NOT have a bearing



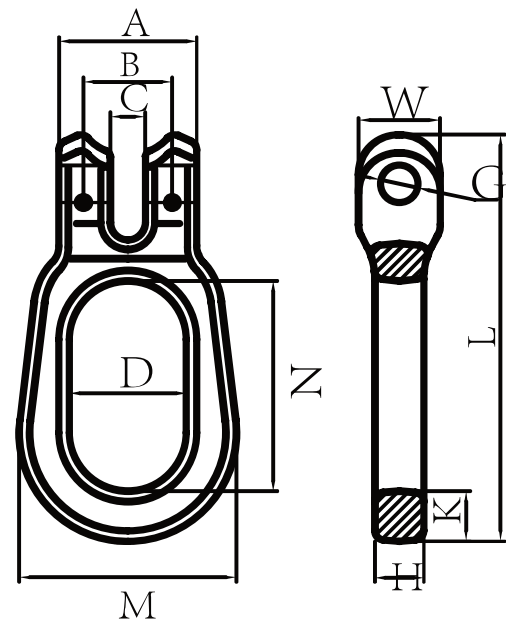
ITEM NO.	WEIGHT kg	WLL/T	A±2	B±2	C±1	D±0.5	E±2	H±1	K±3	L±3	Ø±2
T1018SSLHGL-08	1.03	2.5	28.5	37.5	36	13	32	21	185	220	45
T1018SSLHGL-10	1.86	4	39	48	42	15.5	46	30	219	264	56
T1018SSLHGL-13	3.34	6.7	46	52	49	19	56	39	275.5	334	64
T1018SSLHGL-16	5.9	10	66	70	62	23	91	46.3	329	400	80

TITAN G100 CLEVIS PEAR LINK T1033CPL

STANDARD FEATURES



- A versatile link for use in reeveable slings, as a top or terminal end fitting for general lifting, as well as chocking in pulling applications
- Forged super alloy steel - Quenched and Tempered
- Suitable for EN 818 G100 chains
- Complies with AS3776/EN1677
- Individually proof tested at 2.5 times WLL
- Fatigue tested at 1.5 x WLL for 20,000 cycles
- 100% Magnaflux crack detection
- Blue Powder Plastified Finish
- Mill & Test Certificates available

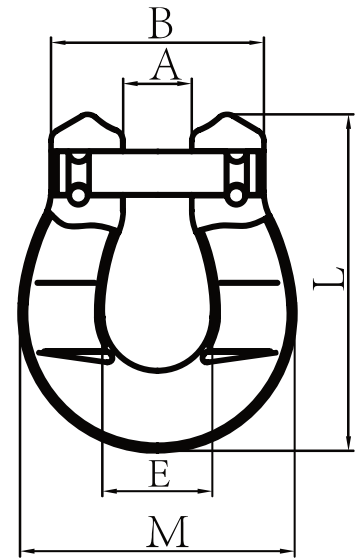


ITEM NO.	WEIGHT kg	WL/T	A±1	B±0.5	C±1	D±1	M±1.5	N±2	H±1	K±0.5	L±1.5	G±0.2	E±1
T1033CPL-13	1.36	6.7	59	38	15	50	93	90	21	21.5	174	16	35

**TITAN G100
CLEVIS OMEGA LINK T1027COL**

STANDARD FEATURES

- Used to make an easy and safe connection between the chain and any other components.
- Forged super alloy steel - Quenched and Tempered
- Suitable for EN 818 G100 chains
- Complies with AS3776/EN1677
- Individually proof tested at 2.5 times WLL
- Fatigue tested at 1.5 x WLL for 20,000 cycles
- 100% Magnaflux crack detection
- All load pins are 100% individually inspected and batch tested
- Blue Powder Plastified Finish
- Mill & Test Certificates available
- NB: Not to be connected to Head Rings

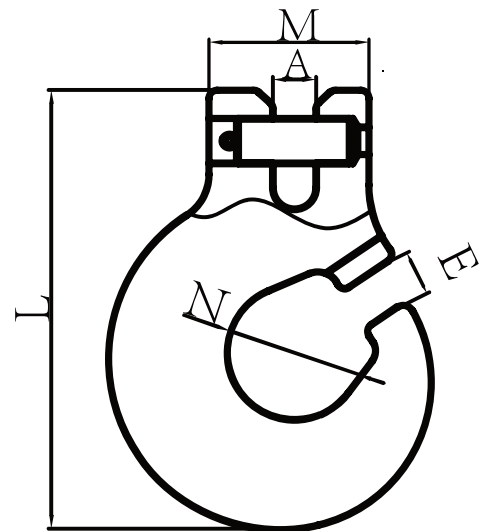


ITEM NO.	WEIGHT kg	WLL/T	A±0.5	B±2	E±1.5	M±2	L±2
T1027COL-06	0.12	1.4	8.5	32.5	20	44	55
T1027COL-08	0.27	2.5	10.5	42	24	60	73.5
T1027COL-10	0.44	4	12.5	48.5	31	70	90
T1027COL-13	0.89	6.7	16	60	38.5	90	109
T1027COL-16	1.69	10	19	75.5	51	112	141.5

**TITAN G100
CLEVIS FORESTRY LOGGING C HOOK T1021CFCH**

STANDARD FEATURES

- Mainly used in Reeving, Logging and general Forestry applications
- Designed for reeving applications with a narrow throat opening to prevent chain being accidentally dislodged in use.
- Forged super alloy steel - Quenched and Tempered
- Suitable for EN 818 G100 chains
- Complies with AS3776/EN1677
- Fatigue tested at 1.5 x WLL for 20,000 cycles
- 100% Magnaflux crack detection
- All load pins are 100% individually inspected and batch tested
- Blue Powder Plastified Finish
- Mill & Test Certificates available
- NB: Hooks without a latch are generally used for specific applications. Therefore where there is a risk of the hooks becoming detached during use a risk assessment will need to be conducted in accordance with Section 11 of AS 3776.
- NB: NOT for lifting, ONLY for logging



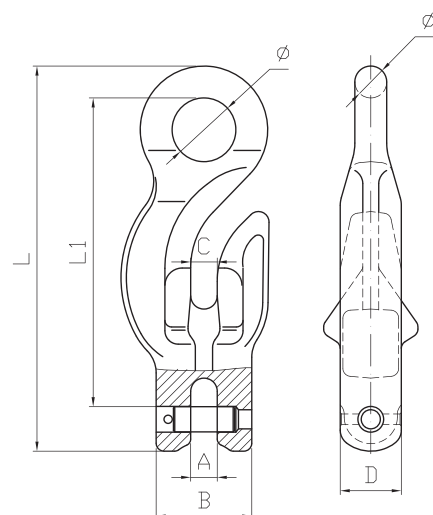
ITEM NO.	WEIGHT kg	WLL/T	A±0.5	M±0.1	N±0.5	E±0.5	L±0.5
T1021CFCH-8	0.41	2.5	9.5	35	31	9.8	95.5
T1021CFCH-13	1.87	6.7	16	59	49.5	16	162

TITAN G100 CLEVIS EYE SHORTENING GRAB HOOK T1051CESH

STANDARD FEATURES



- Used and attached to a connecting link/head ring streamlining and reducing congestion at the top of the head ring
- Dual purpose fitting acting as both a shortener and connecting direct to chain
- Allows less fittings to be used and less clutter around the head ring in multi leg chain slings
- Forged super alloy steel - Quenched and Tempered
- Suitable for EN 818 G100 chains
- Complies with AS3776/EN1677
- Individually proof tested at 2.5 times WLL
- Fatigue tested at 1.5 x WLL for 20,000 cycles
- 100% Magnaflux crack detection
- All load pins are 100% individually inspected and batch tested
- Blue Powder Plastified Finish
- Mill & Test Certificates available



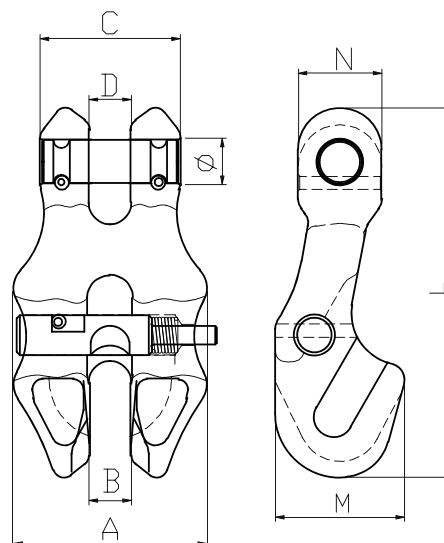
ITEM NO.	WEIGHT kg	WLL/T	<P±2	A±0.5	B±2	C±0.5	L1±2	L±3	Ø'±1	Ø±1.5
T1051CESH-6	0.3	1.4	18	8	32	8	88	112	9	17.5
T1051CESH-8	0.69	2.5	24	10	36	10	116	145	12	23
T1051CESH-10	1.33	4	30	12.5	48	12.5	145	184	15	28.5
T1051CESH-13	2.36	6.7	37	15.5	59.5	15.5	178	223	18	35
T1051CESH-16	4.5	10	45	19	70	19	216	273	22	42
T1051CESH-20	9	16	58	24.5	85	24.5	278	351	28	52

TITAN G100 CLEVIS CLUTCH WITH SAFETY PIN T1057CSCSP

STANDARD FEATURES



- Used as a chain shortener and fitted with a safety pin to lock shortened chain into position
- Clevis enables direct connection to chain
- Forged super alloy steel - Quenched and Tempered
- Suitable for EN 818 G100 chains
- Complies with AS3776/EN1677
- Individually proof tested at 2.5 times WLL
- Fatigue tested at 1.5 x WLL for 20,000 cycles
- 100% Magnaflux crack detection
- All load pins are 100% individually inspected and batch tested
- NB: Not recommended to be used for back-hooking, reeving applications or as a bottom fitting.



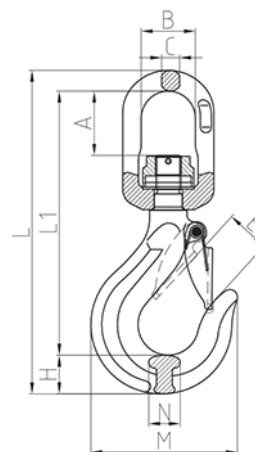
ITEM NO.	WEIGHT kg	WLL/T	A±0.5	B±0.5	C±0.5	D±0.5	M±0.5	N±0.5	Ø±0.1	L±3
T1057CSCSP-6	0.25	1.4	38	7.5	27	7.5	29	16	7.7	73
T1057CSCSP-7/8	0.41	2.5	50	9.5	33	9.5	36	23	9.2	92
T1057CSCSP-10	0.75	4	60	11.7	43.5	11.7	45.4	36	13.3	115
T1057CSCSP-13	1.67	6.7	79	15	55	15	54	34	16.3	149
T1057CSCSP-16	4.2	10	98	19	70	19	70	40	19.7	184

TITAN G100 SWIVEL SLING SAFETY HOOK WITH BEARING & LATCH T1095SSHWB



STANDARD FEATURES

- Flat section on swivel eye for attaching Omega Links and Connectors
- Includes ball bearing in the swivel enabling smooth and easy rotation under load
- Forged super alloy steel - Quenched and Tempered
- Suitable for EN 818 G100 chains
- Complies with AS3776/EN1677
- Individually proof tested at 2.5 times WLL
- Fatigue tested at 1.5 x WLL for 20,000 cycles
- 100% Magnaflux crack detection
- Blue Powder Plastified Finish
- Mill & Test Certificates available
- Latch Kits in self colour available as spare parts



ITEM NO.	WEIGHT kg	WLL/T	A	B	E	M	L1	N	C	H
T1095SSHWB-6	0.65	1.4	37±1.5	32.5±1.5	24±1.5	77±2	141±3	16±1	11.5±1	19±1
T1095SSHWB-8	0.95	2.5	41.6±2	41±2	28.5±1.5	88±2	213±4	20±1	13±1	26±1
T1095SSHWB-10	1.71	4	51±2	48±2	34±2	105±3	263±4	25±1.5	15.5±1.5	29.5±1.5
T1095SSHWB-13	3.13	6.7	59±3	55±3	40±2	135±3	310±5	32±1.5	17±1.5	38±1.5
T1095SSHWB-16	5.44	10	68±3	61±3	45±3	161±4	364±5	37.5±1.5	21.5±2	45±2

TITAN G100 SPARE PARTS - TRIGGER KITS



ITEM	DESCRIPTION
SP-TRGKIT-1005/6/7/72-6	Trigger Kit to Suit SLR1005/6/7/72 6mm
SP-TRGKIT-1005/6/7/72-8	Trigger Kit to Suit SLR1005/6/7/72 8mm
SP-TRGKIT-1005/6/7/72-10	Trigger Kit to Suit SLR1005/6/7/72 10mm
SP-TRGKIT-1005/6/7/72-13	Trigger Kit to Suit SLR1005/6/7/72 13mm
SP-TRGKIT-1005/6/7/72-16	Trigger Kit to Suit SLR1005/6/7/72 16mm
SP-TRGKIT-1005/6/7/72-20	Trigger Kit to Suit SLR1005/6/7/72 20mm

TITAN G100 SPARE PARTS - LATCH KITS



ITEM	DESCRIPTION
SP-LTCHKIT-1003/4-6	Spare Part-Latch Kit to Suit SLR1003/4 6mm
SP-LTCHKIT-1003/4-8	Spare Part-Latch Kit to Suit SLR1003/4 8mm
SP-LTCHKIT-1003/4-10	Spare Part-Latch Kit to Suit SLR1003/4 10mm
SP-LTCHKIT-1003/4-13	Spare Part-Latch Kit to Suit SLR1003/4 13mm
SP-LTCHKIT-1003/4-16	Spare Part-Latch Kit to Suit SLR1003/4 16mm
SP-LTCHKIT-1003/4-20	Spare Part-Latch Kit to Suit SLR1003/4 20mm

TITAN G100 SPARE PARTS - SAFETY PIN KITS



ITEM	DESCRIPTION
SP-SPINKIT-1024-8	Spare Part-Safety Pin Kit to Suit SLR1024 8mm
SP-SPINKIT-1024-10	Spare Part-Safety Pin Kit to Suit SLR1024 10mm
SP-SPINKIT-1024-13	Spare Part-Safety Pin Kit to Suit SLR1024 13mm
SP-SPINKIT-1023-8	Spare Part-Safety Pin Kit to Suit SLR1023 8mm
SP-SPINKIT-1023-10	Spare Part-Safety Pin Kit to Suit SLR1023 10mm
SP-SPINKIT-1023-13	Spare Part-Safety Pin Kit to Suit SLR1023 13mm

CUSTOM SIZES AVAIL. UPON REQUEST



TITAN G100 SINGLE LEG C/W EYE SHORTENERS & CLEVIS SAFETY SLING HOOKS T1004CSH

AMG CODE	DESCRIPTION (Shaded rows = standard stocked items, some production lead time may apply)
TG10CS6-1L2M-1004	G100 Single Leg 2mtr Chain Sling 6mm Safety Sling Hook
TG10CS6-1L3M-1004	G100 Single Leg 3mtr Chain Sling 6mm Safety Sling Hook
TG10CS6-1L4M-1004	G100 Single Leg 4mtr Chain Sling 6mm Safety Sling Hook
TG10CS8-1L2M-1004	G100 Single Leg 2mtr Chain Sling 8mm Safety Sling Hook
TG10CS8-1L3M-1004	G100 Single Leg 3mtr Chain Sling 8mm Safety Sling Hook
TG10CS8-1L4M-1004	G100 Single Leg 4mtr Chain Sling 8mm Safety Sling Hook
TG10CS10-1L2M-1004	G100 Single Leg 2mtr Chain Sling 10mm Safety Sling Hook
TG10CS10-1L3M-1004	G100 Single Leg 3mtr Chain Sling 10mm Safety Sling Hook
TG10CS10-1L4M-1004	G100 Single Leg 4mtr Chain Sling 10mm Safety Sling Hook
TG10CS13-1L2M-1004	G100 Single Leg 2mtr Chain Sling 13mm Safety Sling Hook
TG10CS13-1L3M-1004	G100 Single Leg 3mtr Chain Sling 13mm Safety Sling Hook
TG10CS13-1L4M-1004	G100 Single Leg 4mtr Chain Sling 13mm Safety Sling Hook



TITAN G100 TWO LEG C/W EYE SHORTENERS & CLEVIS SAFETY SLING HOOKS T1004CSH

AMG CODE	DESCRIPTION (Shaded rows = standard stocked items, some production lead time may apply)
TG10CS6-2L2M-1004	G100 Two Leg 2mtr Chain Sling 6mm Safety Sling Hook
TG10CS6-2L3M-1004	G100 Two Leg 3mtr Chain Sling 6mm Safety Sling Hook
TG10CS6-2L4M-1004	G100 Two Leg 4mtr Chain Sling 6mm Safety Sling Hook
TG10CS8-2L2M-1004	C100 Two Leg 2mtr Chain Sling 8mm Safety Sling Hook
TG10CS8-2L3M-1004	C100 Two Leg 3mtr Chain Sling 8mm Safety Sling Hook
TG10CS8-2L4M-1004	C100 Two Leg 4mtr Chain Sling 8mm Safety Sling Hook
TG10CS10-2L2M-1004	G100 Two Leg 2mtr Chain Sling 10mm Safety Sling Hook
TG10CS10-2L3M-1004	G100 Two Leg 3mtr Chain Sling 10mm Safety Sling Hook
TG10CS10-2L4M-1004	G100 Two Leg 4mtr Chain Sling 10mm Safety Sling Hook
TG10CS13-2L2M-1004	G100 Two Leg 2mtr Chain Sling 13mm Safety Sling Hook
TG10CS13-2L3M-1004	G100 Two Leg 3mtr Chain Sling 13mm Safety Sling Hook
TG10CS13-2L4M-1004	G100 Two Leg 4mtr Chain Sling 13mm Safety Sling Hook



TITAN G100 FOUR LEG C/W EYE SHORTENERS & CLEVIS SAFETY SLING HOOKS T1004CSH

AMG CODE	DESCRIPTION (Shaded rows = standard stocked items, some production lead time may apply)
TG10CS6-4L2M-1004	G100 Four Leg 2mtr Chain Sling 6mm Safety Sling Hook
TG10CS6-4L3M-1004	G100 Four Leg 3mtr Chain Sling 6mm Safety Sling Hook
TG10CS6-4L4M-1004	G100 Four Leg 4mtr Chain Sling 6mm Safety Sling Hook
TG10CS8-4L2M-1004	G100 Four Leg 2mtr Chain Sling 8mm Safety Sling Hook
TG10CS8-4L3M-1004	G100 Four Leg 3mtr Chain Sling 8mm Safety Sling Hook
TG10CS8-4L4M-1004	G100 Four Leg 4mtr Chain Sling 8mm Safety Sling Hook
TG10CS10-4L2M-1004	G100 Four Leg 2mtr Chain Sling 10mm Safety Sling Hook
TG10CS10-4L3M-1004	G100 Four Leg 3mtr Chain Sling 10mm Safety Sling Hook
TG10CS10-4L4M-1004	G100 Four Leg 4mtr Chain Sling 10mm Safety Sling Hook
TG10CS13-4L2M-1004	G100 Four Leg 2mtr Chain Sling 13mm Safety Sling Hook
TG10CS13-4L3M-1004	G100 Four Leg 3mtr Chain Sling 13mm Safety Sling Hook
TG10CS13-4L4M-1004	G100 Four Leg 4mtr Chain Sling 13mm Safety Sling Hook

AMG Code: T=Titan, G10=Grade 100, CS=Chain Sling, Eg 6-4L2M=6mm, 4 Leg, 2 Metre, 1004=T1004 Clevis Self Locking Hook

CUSTOM SIZES AVAIL. UPON REQUEST



TITAN G100 SINGLE LEG C/W EYE SHORTENERS & CLEVIS SELF LOCKING HOOKS T1006CSLH

AMG CODE	DESCRIPTION (Shaded rows = standard stocked items, some production lead time may apply)
TG10CS6-1L2M-1006	G100 Single Leg 2mtr Chain Sling 6mm c/w Clevis Self Locking Hook
TG10CS6-1L3M-1006	G100 Single Leg 3mtr Chain Sling 6mm c/w Clevis Self Locking Hook
TG10CS6-1L4M-1006	G100 Single Leg 4mtr Chain Sling 6mm c/w Clevis Self Locking Hook
TG10CS8-1L2M-1006	G100 Single Leg 2mtr Chain Sling 8mm c/w Clevis Self Locking Hook
TG10CS8-1L3M-1006	G100 Single Leg 3mtr Chain Sling 8mm c/w Clevis Self Locking Hook
TG10CS8-1L4M-1006	G100 Single Leg 4mtr Chain Sling 8mm c/w Clevis Self Locking Hook
TG10CS10-1L2M-1006	G100 Single Leg 2mtr Chain Sling 10mm c/w Clevis Self Locking Hook
TG10CS10-1L3M-1006	G100 Single Leg 3mtr Chain Sling 10mm c/w Clevis Self Locking Hook
TG10CS10-1L4M-1006	G100 Single Leg 4mtr Chain Sling 10mm c/w Clevis Self Locking Hook
TG10CS13-1L2M-1006	G100 Single Leg 2mtr Chain Sling 13mm c/w Clevis Self Locking Hook
TG10CS13-1L3M-1006	G100 Single Leg 3mtr Chain Sling 13mm c/w Clevis Self Locking Hook
TG10CS13-1L4M-1006	G100 Single Leg 4mtr Chain Sling 13mm c/w Clevis Self Locking Hook



TITAN G100 TWO LEG C/W EYE SHORTENERS & CLEVIS SELF LOCKING HOOKS T1006CSLH

AMG CODE	DESCRIPTION (Shaded rows = standard stocked items, some production lead time may apply)
TG10CS6-2L2M-1006	G100 Two Leg 2mtr Chain Sling 6mm c/w Clevis Self Locking Hook
TG10CS6-2L3M-1006	G100 Two Leg 3mtr Chain Sling 6mm c/w Clevis Self Locking Hook
TG10CS6-2L4M-1006	G100 Two Leg 4mtr Chain Sling 6mm c/w Clevis Self Locking Hook
TG10CS8-2L2M-1006	G100 Two Leg 2mtr Chain Sling 8mm c/w Clevis Self Locking Hook
TG10CS8-2L3M-1006	G100 Two Leg 3mtr Chain Sling 8mm c/w Clevis Self Locking Hook
TG10CS8-2L4M-1006	G100 Two Leg 4mtr Chain Sling 8mm c/w Clevis Self Locking Hook
TG10CS10-2L2M-1006	G100 Two Leg 2mtr Chain Sling 10mm c/w Clevis Self Locking Hook
TG10CS10-2L3M-1006	G100 Two Leg 3mtr Chain Sling 10mm c/w Clevis Self Locking Hook
TG10CS10-2L4M-1006	G100 Two Leg 4mtr Chain Sling 10mm c/w Clevis Self Locking Hook
TG10CS13-2L2M-1006	G100 Two Leg 2mtr Chain Sling 13mm c/w Clevis Self Locking Hook
TG10CS13-2L3M-1006	G100 Two Leg 3mtr Chain Sling 13mm c/w Clevis Self Locking Hook
TG10CS13-2L4M-1006	G100 Two Leg 4mtr Chain Sling 13mm c/w Clevis Self Locking Hook



TITAN G100 FOUR LEG C/W EYE SHORTENERS & CLEVIS SELF LOCKING HOOKS T1006CSLH

AMG CODE	DESCRIPTION (Shaded rows = standard stocked items, some production lead time may apply)
TG10CS6-4L2M-1006	G100 Four Leg 2mtr Chain Sling 6mm c/w Clevis Self Locking Hook
TG10CS6-4L3M-1006	G100 Four Leg 3mtr Chain Sling 6mm c/w Clevis Self Locking Hook
TG10CS6-4L4M-1006	G100 Four Leg 4mtr Chain Sling 6mm c/w Clevis Self Locking Hook
TG10CS8-4L2M-1006	G100 Four Leg 2mtr Chain Sling 8mm c/w Clevis Self Locking Hook
TG10CS8-4L3M-1006	G100 Four Leg 3mtr Chain Sling 8mm c/w Clevis Self Locking Hook
TG10CS8-4L4M-1006	G100 Four Leg 4mtr Chain Sling 8mm c/w Clevis Self Locking Hook
TG10CS10-4L2M-1006	G100 Four Leg 2mtr Chain Sling 10mm c/w Clevis Self Locking Hook
TG10CS10-4L3M-1006	G100 Four Leg 3mtr Chain Sling 10mm c/w Clevis Self Locking Hook
TG10CS10-4L4M-1006	G100 Four Leg 4mtr Chain Sling 10mm c/w Clevis Self Locking Hook
TG10CS13-4L2M-1006	G100 Four Leg 2mtr Chain Sling 13mm c/w Clevis Self Locking Hook
TG10CS13-4L3M-1006	G100 Four Leg 3mtr Chain Sling 13mm c/w Clevis Self Locking Hook
TG10CS13-4L4M-1006	G100 Four Leg 4mtr Chain Sling 13mm c/w Clevis Self Locking Hook

AMG Code: T=Titan, G10=Grade 100, CS=Chain Sling, Eg 6-4L2M=6mm, 4 Leg, 2 Metre, 1006=T1006 Clevis Self Locking Hook

TITAN G100 CHAIN SLING LIFTING GUIDE

Australian Standard AS 3775

Maximum Working Load Limit (WLL) in tonnes



CHAIN SIZE (mm)	SINGLE LEG SLINGS			2, 3, OR 4 LEG SLINGS			BASKET SLINGS		
	STRAIGHT SLING	ADJUSTABLE SLING	REEVED SLING	60	900	120	REEVED SLING Max 60°	1 LEG Max 60°	2 LEG Max 60°
6	1.4	1.4	1.1	2.4	2	1.4	1.8	1.8	3.2
7	1.9	1.9	1.4	3.3	2.7	1.9	2.5	2.5	4.3
8	2.5	2.5	1.9	4.3	3.5	2.5	3.3	3.3	5.6
10	4	4	3	6.9	5.6	4	5.2	5.2	9
13	6.7	6.7	5	11.6	9.4	6.7	8.7	8.7	15.1
16	10	10	7.5	17.3	14.1	10	13	13	22.5
20	16	16	12	27.7	22.6	16	20.8	20.8	36
22	19	19	14.3	32.9	26.8	19	24.7	24.7	42.8
26	26.5	26.5	19.9	45.8	37.4	26.5	34.5	34.5	59.6
32	40	40	30	69.2	56.4	40	52	52	90

* Assumes the use of a 100% rated shortening hook.

Why Choose Titan Lifting?



**600,000+
HOISTS SOLD**



**45 YEARS
EXPERIENCE**



**100,000+ HOURS
OF TESTING**



**HIGH QUALITY
PRODUCTS**



**BEST AFTER
SALES SUPPORT**



**FULL LEEA
MEMBERSHIP**