

RG-20/80



GB | Operating Instructions



Please note that the product may not be used / put into operation without these operating instructions in the national language. If you did not receive operating instructions in your national language with the delivery of the product, please contact us. In countries of the EU / EFTA we will send them to you free of charge. For countries outside the EU / EFTA, we will be pleased to provide you with an offer for an operating manual in the national language if the translation cannot be organised by the dealer/importer.

Contents

1	EC-Declaration of Conformity / UKCA-Declaration of Conformity	3
2	Safety	4
2.1	Safety symbols	4
2.2	Explanation of basic concepts	4
2.3	Definition skilled worker / specialist.....	4
2.4	Safety Marking	5
2.5	Personal safety requirements	6
2.6	Protective equipment.....	6
2.7	Accident prevention.....	6
2.8	Function Control	6
2.8.1	General	6
2.9	Safety procedures	7
2.9.1	General	7
2.9.2	Carrier / Lifting device	7
3	General	8
3.1	Authorized use	8
3.2	Survey and construction.....	10
3.2	Survey and construction.....	10
3.3	Technical data	10
4	Installation.....	11
4.1	Mechanical connection.....	11
4.1.1	Lifting eye / Suspension bolt	11
4.1.2	Load hooks and lifting tackle.....	11
4.1.3	Rotators (optional)	11
4.1.4	Fork sleeves (optional).....	12
5	Adjustments.....	13
5.1	Adjustment of the gripping range	13
5.1.1	Adjustment of the gripping range.....	13
5.1.2	Adjustment of the height adjusting support.....	14
6	Operation.....	15
6.1	Device operation	15
6.2	Picture of the automatic release.....	17
7	Maintenance and care	18
7.1	Maintenance	18
7.1.1	Mechanics.....	18
7.2	Trouble shooting.....	19
7.3	Repairs	19
7.4	Safety procedures	20
7.5	Hints to the type plate.....	21
7.6	Hints to the renting/leasing of PROBST devices	21
8	Disposal / recycling of devices and machines	21

We hereby reserve the right to make changes to the information and illustrations in the operating instructions.

1 EC-Declaration of Conformity / UKCA-Declaration of Conformity

Description: Round Grab RG
 Type: RG-20/80
 Order number: 54500002

Manufacturer: Probst GmbH
 Gottlieb-Daimler-Straße 6
 71729 Erdmannhausen, Germany
 info@probst-handling.de
 www.probst-handling.com



Importer: Probst Ltd
 Unit 2 Fletcher House
 Stafford Park 17
 Telford Shropshire TF3 3DG, United Kingdom
 www.probst-handling.co.uk
 sales@probst-handling.co.uk



The machine described above complies with the relevant requirements of the following EU directives:
The object of the declaration described above is in conformity with the relevant UK-Regulations and UK-Guidelines:

EC-machinery directive 2006/42/EC (Reference: OJ L 157, 09.06.2006)

UK-Regulation: Supply of Machinery (Safety) Regulations 2008 (SI 2008 No. 1597)

The following standards and technical specifications were used:

DIN EN ISO 12100

Safety of machinery - General principles for design - Risk assessment and risk reduction

UK-Regulation: BS EN ISO 12100-1:2003+A1:2009

DIN EN ISO 13857

Safety of machinery - safety distances to prevent hazard zones being reached by upper and lower limbs.

UK-Regulation: BS EN ISO 13857:2019

Authorized person for EC-documentation:

Name: Jean Holderied
 Address: Probst GmbH; Gottlieb-Daimler-Straße 6; 71729 Erdmannhausen, Germany

Authorized person for UK-documentation:

Name: Nigel Hughes
 Address: Probst Ltd ; Unit 2 Fletcher House; Stafford Park 17; Telford Shropshire TF3 3DG, United Kingdom

Signature, information to the subscriber:



Erdmannhausen, 04.07.2023.....
 (Eric Wilhelm, Managing Director)

2 Safety

2.1 Safety symbols



Danger to life!

Identifies imminent hazard. If you do not avoid the hazard, death or severe injury will result.



Hazardous situation!

Identifies a potentially hazardous situation. If you do not avoid the situation, injury or damage to property can result.



Prohibition!

Identifies imminent a prohibition. If you do not avoid the prohibition, death and severe injury, or damage to property will result.



Important information or useful hints for the usage.

2.2 Explanation of basic concepts

Gripping range:	<ul style="list-style-type: none"> specify the minimum and maximum product measurements of the gripping good, which can be gripped with this device.
Gripping good(s):	<ul style="list-style-type: none"> is the product, which will be gripped or transported.
Opening width:	<ul style="list-style-type: none"> consists of the gripping range and the measure to drive over the gripping good. <i>$\text{gripping range} + \text{measure to drive over the gripping good} = \text{opening width}$</i>
Immersion depth:	<ul style="list-style-type: none"> is the maximum gripping height of gripping goods, conditional of the height of the gripping arms of the device.
Device:	<ul style="list-style-type: none"> is the description for the gripping device.
Product dimensions:	<ul style="list-style-type: none"> Are the dimensions of the gripping good (e.g. length, breadth, height of the product).
Dead weight:	<ul style="list-style-type: none"> is the own weight (without gripping good) of the device.
Carrying capacity/working load limit (WLL*):	<ul style="list-style-type: none"> specify the maximum possible load of the device (for lifting of gripping goods). *= WLL → (english:) <u>W</u>orking <u>L</u>oad <u>L</u>imit
Area in proximity to the ground:	<ul style="list-style-type: none"> the gripping good must be lowered to just above the ground (approx. 0.5 m) immediately after being picked up (e.g. from a pallet or from a truck). For transport, lift the gripping good only as high as necessary (recommendation approx. 0.5 m above the ground).

2.3 Definition skilled worker / specialist



Only skilled workers or specialists are allowed to carry out the installation-, maintenance-, and repair work on this device!

Skilled workers or specialists must have for the following points (if it applies for this device), the necessary professional knowledge.


- for mechanic
- for hydraulics
- for pneumatics
- for electrics

2.4 Safety Marking


PROHIBITION SIGN

Symbol	Meaning	Order-No.	Size
	It is not allowed to stand under hanging loads. Danger to life!	29040210 29040209 29040204	Ø 30 mm Ø 50 mm Ø 80 mm
	Do not lift any components off-centre (always in centre of gravity).	29040216 29040215 29040214	Ø 30 mm Ø 50 mm Ø 80 mm



WARNING SIGN

Symbol	Meaning	Order-No.	Size
	Danger of squeezing the hands.	29040221 29040220 29040107	30 x 30 mm 50 x 50 mm 80 x 80 mm

REGULATORY SIGN

Symbol	Meaning	Order-No.	Size
	Each operator must have read and understood the operating instructions (and all safety instructions).	29040665 29040666 29041049	Ø 30 mm Ø 50 mm Ø 80 mm

OPTIONAL

	Be sure that the fork sleeves are mechanically fixed (with locking screw and safety chain or rope) to the lifting device.	29040223 29040222	Ø 50 mm Ø 80 mm
	The manual guiding of the device is only allowed at the red handles.	29040227 29040226 29040225	Ø 30 mm Ø 50 mm Ø 80 mm

2.5 Personal safety requirements



Each operator must have read and understood the operating instructions (and all safety instructions). Only qualified, authorized personal is allowed to operate the device and all devices which are connected (lifting device/carrier).



The **manual guiding** is **only** allowed for devices **with handles**.
Otherwise there is a risk of injury to the hands!

2.6 Protective equipment

The protective equipment must consist, according to the safety regulations of the following parts:

- Protective clothing
- Safety gloves
- Safety shoes

2.7 Accident prevention



- The workplace has to be covered for unauthorized persons, especially children.
- **Caution at thunderstorm - danger of lightning!**
Depending on the intensity of the thunderstorm, stop working with the device if necessary.



- The workplace must be sufficiently illuminated.
- **Be careful with wet, frozen, iced and dirty building materials! There is a danger of the gripping material slipping out. → DANGER OF ACCIDENT!**

2.8 Function Control

2.8.1 General



- Before every usage of the device check the functions and the working condition.
- Maintenance and lubrication are only permitted when device is shut down!



- Do not use the device, until all faults which can cause safety hazards are removed.
- If there are any cracks, splits or damaged parts on any parts of the device, immediately stop using it.



- The operating instructions must be available at the workplace every time.
- Do not remove the type plate of the machine.
- Unrecognisable information signs (such as regulatory or prohibition signs) must be replaced.

2.9 Safety procedures

2.9.1 General



- The use of the device is only permitted in proximity to the ground. Do not swing it over people heads.
- The stay under lifted load is forbidden. **Danger to Life!**



- The manual guiding of the device is only allowed at the handles.



- While using the device the stay of persons in the working area is forbidden. Except it is indispensable, caused of the way of using the device, e.g. if the device must be leaded by hand.
- Jerky lifting or lowering of the device with or without load is **prohibited**, as well as driving fast with the carrier device/lifting device over uneven terrain! In general, with the load lifted, drive with the lifting equipment (e.g. excavator) **only at walking speed** - avoid unnecessary vibrations.
Danger: Load could fall down or load handling equipment could be damaged!



- Do not lift any components off-centre (always in centre of gravity), because that **could fall down**.
- The device should not be opened if the opening path of the gripping arm is blocked by a resistance (e.g. other concrete blocks or the like)!



- The operator is not allowed to leave the control unit as long as the device loaded with load. The load must always be in the range of vision of the operator.
- Never exceed the carrying capacity/working load limit (WLL) and the nominal width/gripping range of the device.



- Do not pull out stuck or tightened loads with the device.
- **Never** pull or drag loads sideways. Otherwise parts of the device could be damaged. (see Fig. A →)

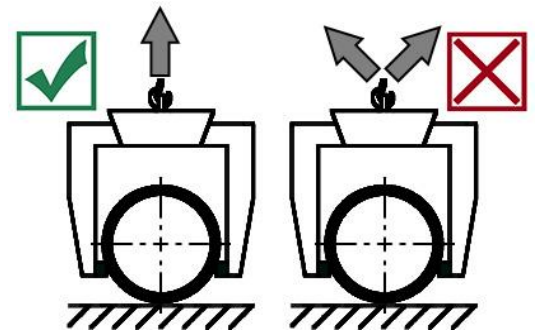


Fig. A

2.9.2 Carrier / Lifting device



- The used carrier/lifting device (e.g. excavator) have to be in good, safe working condition.
- Only authorized and qualified persons are allowed to operate the carrier/lifting device.
- The operator of the carrier/lifting device must have all the necessary qualifications.



- **Never exceed the maximum allowable carrying capacity/working load limit (WLL) of the carrier/lifting device and the lifting gear.**

3 General

3.1 Authorized use

The device (RG-20/80) is exclusively used for gripping, transporting and laying concrete pipes with an outside diameter of 200 mm to 800 mm.

The device is equipped with a lifting eye for various lifting tackle and can therefore be attached to a carrier (e.g. excavator).



- The device is only designed for the use specified in this documentation.
- Every other use is not authorized and is forbidden!
- All relevant safety regulations, corresponding legal regulations, especially regulations of the declaration of conformity, and additional local health and safety regulations must be observed.



Prior to every operation the user **must** ensure that:

- The equipment is suited to the intended operation
- the functioning and the working condition of the equipment is examined
- the load is suitable to be handled.

Any doubts about instructions should be raised with the manufacturer prior to use.



ATTENTION: The use of this device is only permitted in proximity to the ground (→ chapter “Safety at work” and “Explanation of basic concepts”).

**NOT ALLOWED ACTIVITIES:**

Unauthorized alterations of the device and the use of any self-made additional equipment could cause danger and are therefore **forbidden!**

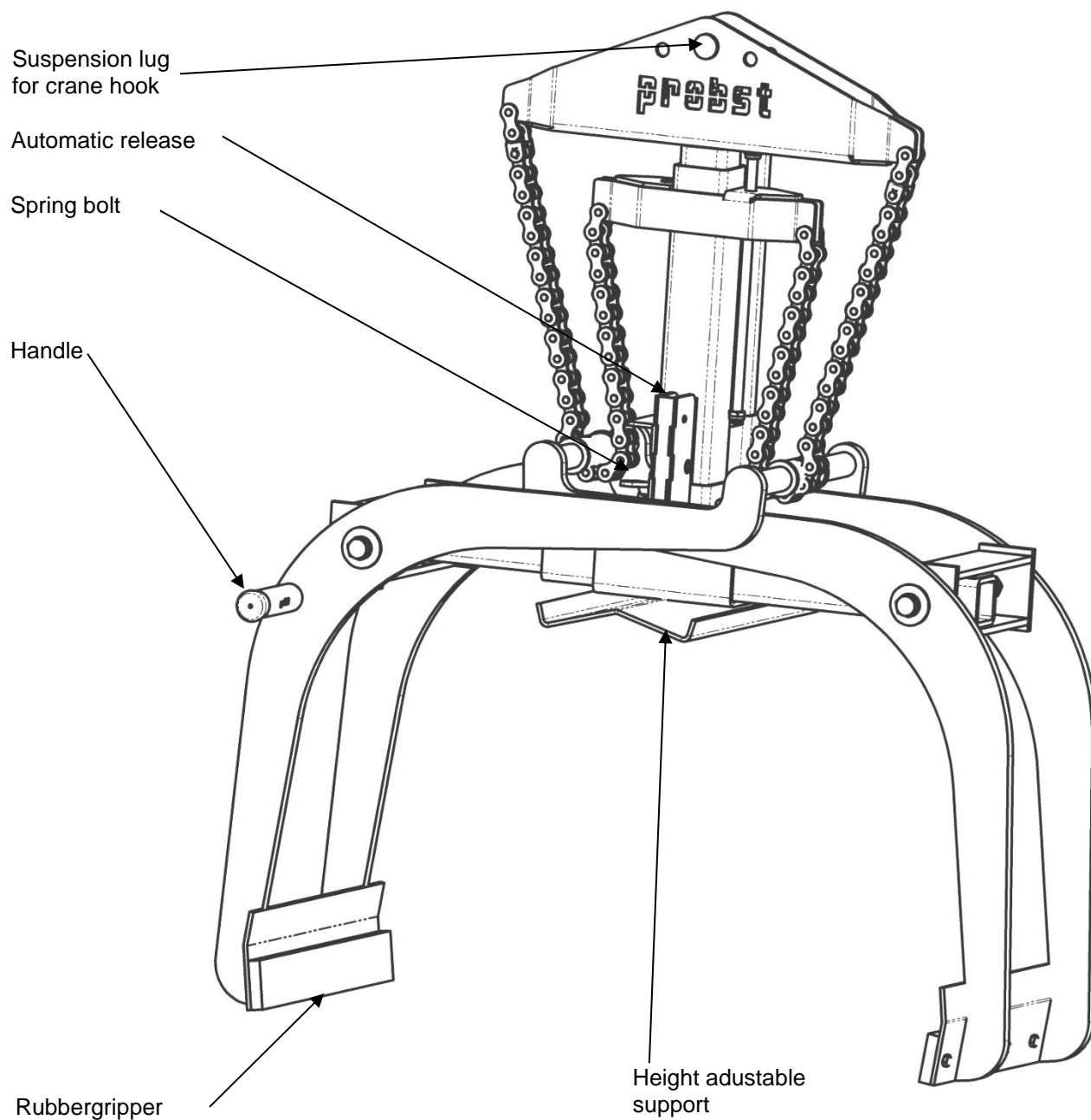
Carrying capacities (WLL) of the device **must not be exceeded** and **nominal widths/gripping ranges must not be exceeded or fallen short of.**

All unauthorized transports with the device are strictly prohibited:

- Transport of people and animals.
- Gripping and transporting of other loads and materials than described in this operating instructions.
- Never suspend any goods with ropes, chains or similar at the device, except at the designated lifting eyes/-bolts.
- Gripping of gripping goods with **packaging foil**, because they could **fall down**.
- Gripping and transporting of **conical** gripping goods, because they could **fall down**.
- Gripping of gripping goods with surfaces that reduce the coefficient of friction (e.g., abrasive, treated, dirty, frozen, coated, painted surfaces), as this causes a reduction in the coefficient of friction between the grippers and the gripping goods → **Danger of slipping!**
Remedy: In case of dirt of any kind, it is absolutely necessary to clean the grippers and the surface of the products in the area of the grippers **before each** gripping process!
- Gripping of gripped goods, which can deform or break due to the clamping force of the gripping device!
- Gripping of goods which show visible damage, or which may break due to their own weight.

3.2 Survey and construction

3.2 Survey and construction



3.3 Technical data

The exact technical data (carrying capacity / working load limit (WLL), dead weight, etc.) are listed on the type plate.

4 Installation

4.1 Mechanical connection

Use only original accessories, in case of doubt consult the manufacturer.



Take care that the **carrying capacity / working load limit (WLL)** of the lifting device/carrier is **not exceeded**, through the load of the device, the optional attaching devices (turning device, fork sleeves, crane boom etc.) and the additional load of the gripping goods!

Gripping devices **always** have to be **gimballed**, so they can swing freely in any position.



In **no case** it is allowed to mount gripping devices with lifting devices/carriers in a **rigid way!**
Break of the suspension may occur within short time. Death, severe injuries and material damage can result!



When using the device on optional attachments (such as fork sleeves, crane boom, etc.), it cannot be excluded, due to the lowest possible construction of the total device (to avoid loss of lifting height), that the device may collide with adjacent components if the device is suspended in an oscillating motion and unfavourable positioning during travel movements of the carrier device. This should be avoided as far as possible by positioning the device appropriately and in a sensible driving style. Damage resulting from this will not be regulated within the scope of the warranty.

4.1.1 Lifting eye / Suspension bolt

The device is equipped with a lifting eye / suspension bolt and can be mounted on various carrier / lifting devices.



Take care that the lifting eye / suspension bolt is safely joined with the lifting tackle (e.g. crane hook, belt) and cannot slide down.

4.1.2 Load hooks and lifting tackle



The device is attached to the carrier/lifting device with a load hook or a suitable lifting tackle.

Ensure that the single chains strands are not twisted or knotted.

Attaching the device to the lifting device/carrier, take care that all local safety regulation is observed.

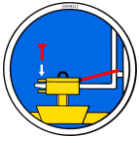
4.1.3 Rotators (optional)



When using rotators, a free-wheel throttle valve **must be** installed.

In order to prevent a sudden speedup and stopping the rotational movements, as this may **damage** the device within a short time.

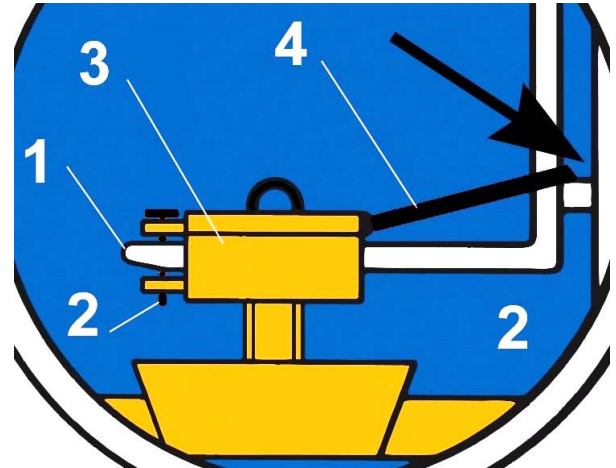
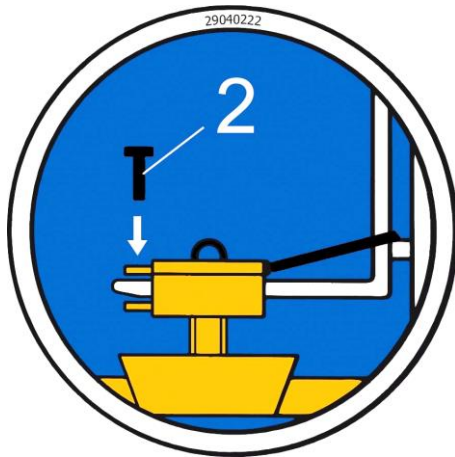
4.1.4 Fork sleeves (optional)



In order to connect the forklift truck and the fork sleeve (3), the forklift truck forks (1) are inserted into the fork sleeve (3). The forks (1) are locked either by using the locking screws (2), which are inserted through a hole in the forks (1), or by using a chain or rope, which must be placed through the eyelet on the fork sleeve (3) and around the fork carrier (4).



This connection must be made, otherwise the fork sleeve may slip off the forklift forks during forklift handling. **DANGER OF ACCIDENT!**



5 Adjustments

5.1 Adjustment of the gripping range

5.1.1 Adjustment of the gripping range

By adjusting the gripping range, the device (RG-20/80) is suitable for different sizes of gripping goods (concrete tubes).

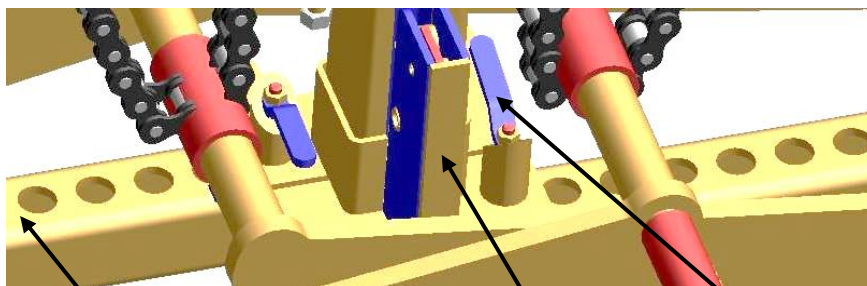
Before the product can be lifted and transported, the gripping range has to be adjusted to the dimensions of the product.



- The adjustment of the gripping range may **never** take place on both sides at the same time. **Always adjust the gripping range first to the one and then on the other side.**
- Pull the spring bolt upwards and rotate around 180°.
- Move the rectangular tube, until the gripping range is approx. 5 cm larger than the product.
- Pull the spring bolt back up again and rotate around 180°.
- Move the rectangular tube so long until the spring bolt engages in one of the holes.
- The adjustment of the gripping range has to follow general symmetrical. That means, it must be used in each case the same adjustable hole with both rectangular tubes.
- **Caution** while adjusting of the gripping range. **There is a danger of injuring the hands!**



- **Caution while adjustment work. There is danger of injuring the hands! Use safety gloves! →**



Spring bolt

Automatic release

Rectangular tube with adjustable holes

5.1.2 Adjustment of the height adjusting support

The height-adjustable support is adjusted as follows:

- Pull the spring cotter pin upwards and turn it 180°.
- Move the rectangular tube until the correct inside height has been adjusted. Pull the spring cotter pin upwards again and turn it by 180°.
- Push the rectangular tube back and forth until the spring cotter pin engages in the corresponding hole.
- The height-adjustable support must always be adjusted so, that the gripping elements always grip the concrete pipe below the largest pipe diameter, otherwise there is a danger of slipping! Fig. 2

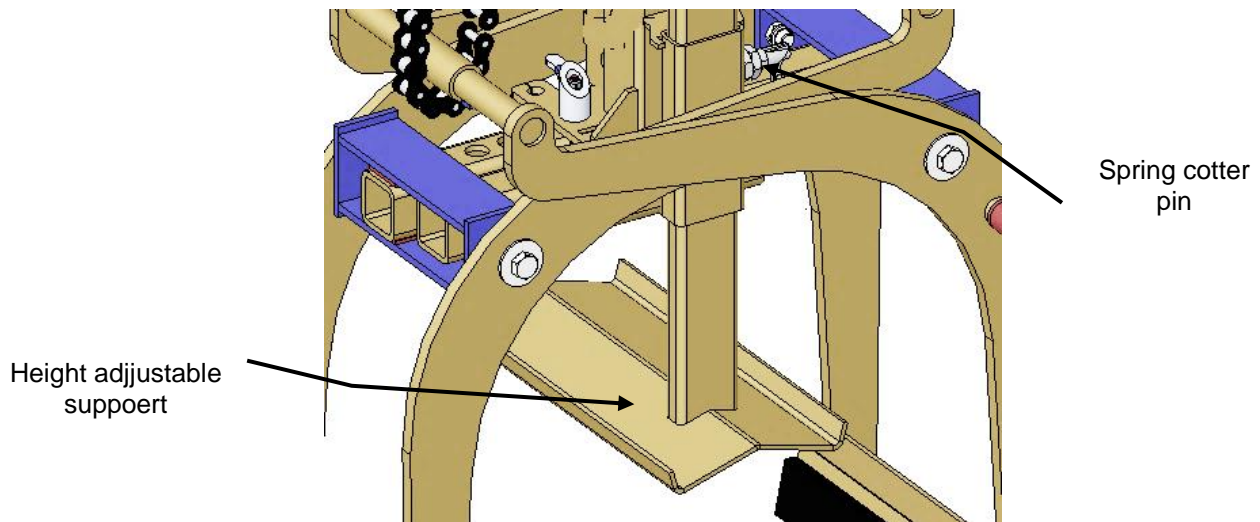


Fig. 1

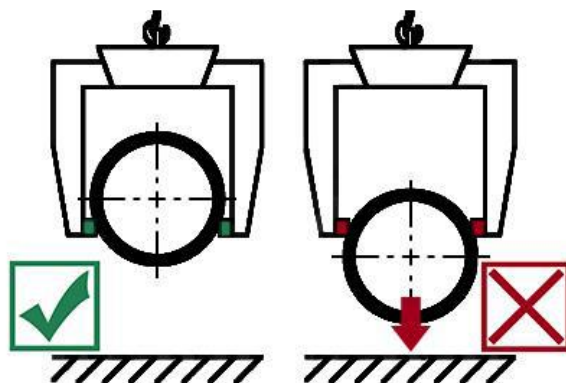


Fig. 2

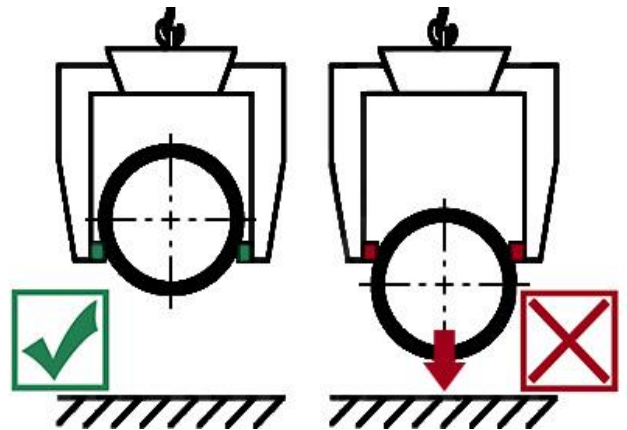
6 Operation

6.1 Device operation

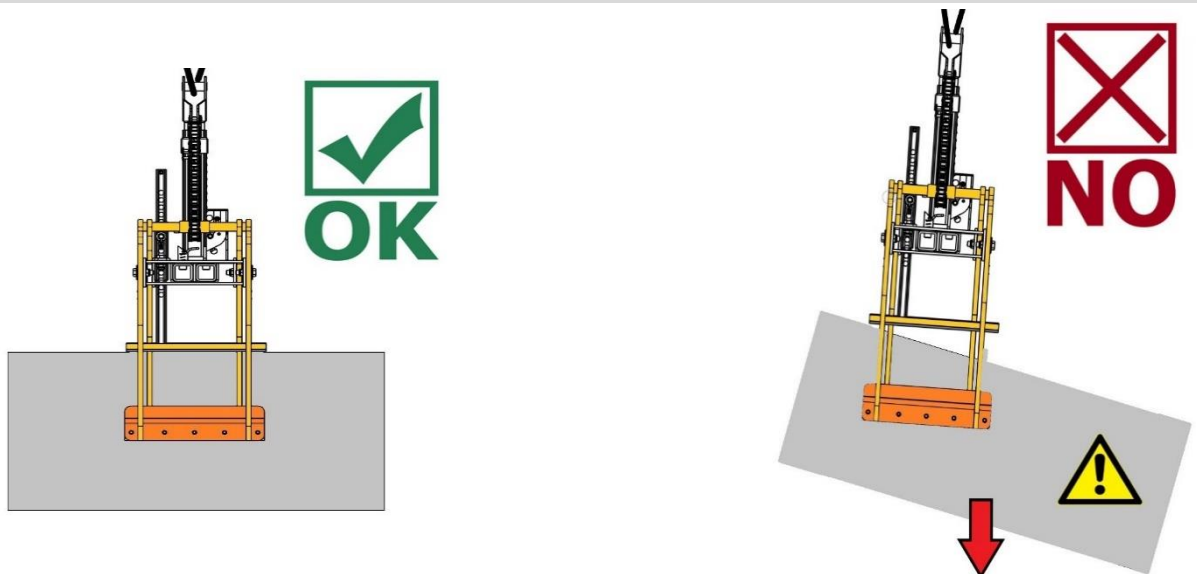
- Connect the device with the suspension bolt to the lifting equipment/carrier (e.g. with crane hook).
- Adjust the gripping range and the height support.
- Lower the device on the gripping good (concrete tube) until the automatic release unlocks, when the device is lifted.
- Lifting up the device will close and you can lift the gripping good (concrete tube).
- Transport the device and the gripping good (concrete tube) to the destination place.
 - Lowering the device the automatic release will lock and the device can be lift without the gripping good (concrete tube).



The gripping goods (concrete pipes) must always be gripped below the largest pipe diameter, otherwise exists a danger of slipping off!!
DANGER OF LIFE !!!



The concrete pipes must be gripped in centre of gravity, otherwise there is a danger of slipping off!



Be sure that the concrete tubes are completely hardened.



Gripping goods can slip away or roll away if they are deposited on slopes, unpaved or uneven ground! Death and serious injuries can result.

Always place gripping goods only on horizontal, stable and level ground.

Always secure pipes against rolling away, for example with wedges.



Without lifting equipment/carrier the device may only be parked on even ground!

The gripping arms must be opened enough to ensure safe standing of the implement!

Otherwise there is a risk of tipping!

6.2 Picture of the automatic release

The device is equipped with an automatic release, that means the OPENING and CLOSING of the gripping arms results through the set down and lifting of the device.

Pictures of the positions of the automatic release:

<p>1</p> <ul style="list-style-type: none"> • Device is lifted through the lifting equipment/carrier • Gripping arms are opened 	<p>2</p> <ul style="list-style-type: none"> • Device is set up on the gripping good • Gripping arms are opened 	<p>3A</p> <ul style="list-style-type: none"> • Device is lifted through the lifting equipment/carrier • Gripping good is clamped and can be transported to the destination
<p>3B</p> <ul style="list-style-type: none"> • With faulty switching, the change-over switch must be pushed back manually (e.g. with a screwdriver)¹⁾ 	<p>4</p> <ul style="list-style-type: none"> • Device is set down with the gripping good (on the ground) • Gripping arms are opening 	<p>5/1</p> <ul style="list-style-type: none"> • Device is lifted through the lifting equipment/carrier • Gripping arms are opened (laydown position of the device on the ground)



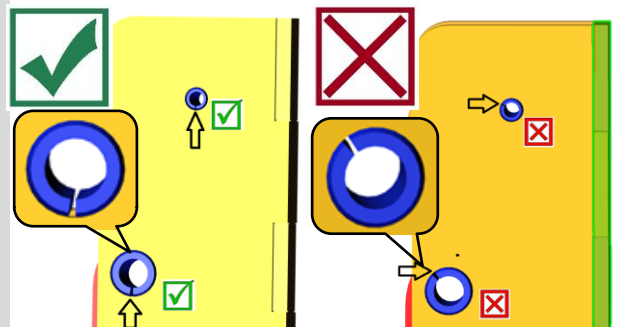
¹⁾ Otherwise there may be faulty switching and when setting down the load this can cause deformation or damage of the automatic release!

The jerky lifting and lowering of the device with and without load. e.g. caused through driving fast with the lifting equipment/carrier over uneven grounds is **forbidden**



When replacing a defective automatic release, it is essential to ensure that the slots of the two clamping pins **always** point downwards.

The position of the slots **must not be** above or center, otherwise there is a risk that the automatic release may jam when switching!



7 Maintenance and care

7.1 Maintenance



To ensure the correct function, safety and service life of the device the following points must be executed in the maintenance interval.

Used **only original spare parts**, otherwise the warranty expires.

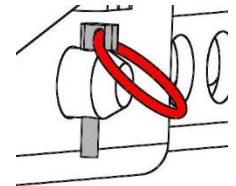
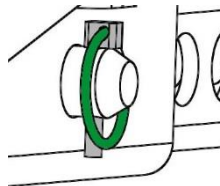


All operations may only be made in closed state of the device!
For all operations you have to make sure, that the device will not close unintended. **Danger of injury!**

7.1.1 Mechanics

MAINTENANCE PERIOD	Work to be carried out
Initial inspection after 25 operating hours	<ul style="list-style-type: none"> Check or retighten all fixing screws (may only be carried out by a qualified person).
Every 50 operating hours	<ul style="list-style-type: none"> Retighten all fixing screws (make sure that the screws are retightened according to the valid tightening torques of the corresponding strength classes). Check all existing safety elements (such as folding pins) for proper function and replace defective safety elements. → 1) Check all joints, guides, pins and sprockets, chains for proper function, readjust or replace if necessary. Check gripper jaws (if present) for wear and clean, replace if necessary. All existing sliding guides, rack gears and joints of moving parts or machine components must be greased / lubricated to reduce wear and for optimum movement sequences (recommended grease: Mobilgrease HXP 462). Lubricate all grease nipples (if present) with grease gun.
At least 1x per year (shorten the inspection interval in case of harsh operating conditions)	<ul style="list-style-type: none"> Inspection of all suspension parts, as well as bolts and brackets. Inspection for cracks, wear, corrosion and functional safety by an expert.

1)



AUTOMATIC-RELEASE



Never grease or oil the automatic-release!
Clean with high-pressure cleaner when the automatic-release is dirty.

7.2 Trouble shooting

ERROR	CAUSE	REPAIR
The clamping-power is not big enough, the load is slipping out		
(optional)	The grippers are worn	Replace the grippers
(optional)	The maximum load is exceed	Reduce the weight of. the load
(Adjustment of the gripping range) (optional)	The actual opening width is not correct	Adjust the gripping range according to the load you want to transport
(Property of material)	The surface of the material is dirty or the material is not suitable / allowed for this device.	Check the surface of the material or ask the manufacturer, if you the material is allowed for this device.
Unbalanced load		
	The device is not loaded symmetrically	Adjust the position of the load
(Adjustment of the gripping range) (optional)	The adjustment of the gripping range is not symmetrical.	Correct the adjustment of the gripping range
Automatic release does not work		
mechanical (optional)	Automatic release does not work	Clean automatic release with high pressure-cleaner Correct faulty switching (→see chapter "Picture of the automatic release") Change the inset of the automatic release

7.3 Repairs



Only persons with the appropriate knowledge and ability are allowed to repair the device. Before the device is used again, it **has to be** checked by a qualified person or an expert.

7.4 Safety procedures



- It is the contractor's responsibility to ensure that the device is checked by an expert in periods of max. 1 year and all recognized errors are removed (→ DGUV norm 100-500).
- The corresponding legal regulations and the regulations of the declaration of conformity must be observed!
- The expert inspection can also be done by the manufacturer Probst GmbH.
Contact us at: service@probst-handling.de
- We recommend affixing the inspection sticker "„Sachkundigenprüfung / Expert inspection" in a clearly visible place (order no.: 2904.0056+Tüv sticker with year number) after the inspection has been done.







The check by an expert must be proved!

Device	Year	Date	Expert	Company

7.5 Hints to the type plate



- Type, serial-number and production year are very important for the identification of your device. If you need information to spare-parts, warranty or other specific details please refer to this information's.
- The maximum carrying capacity/working load limit (WLL) is the maximum load which can be handled with the device. **Do not** exceed this carrying capacity/working load limit (WLL).
- If you use the device in combination with other lifting equipment (Crane, chain hoist, forklift truck, excavator) consider the deadweight of the device.

XXX-XXX-XXX			
Art.-Nr.:	12345678	Probst GmbH	20356
SN:	31234567-00010-00001	Gottlieb-Datler-Str. 6	
Baujahr/Year of manufacture:	20XX	71729 Erdmannhausen	
Eigengewicht/	00,000 kg/	Germany	
Dead Weight/	00,000 lbs	Tel.: +49 7144-3309-0	
Tragfähigkeit/	00,000 kg/	www.probst-handling.com	
Working Load Limit:	00,000 lbs		Made in Germany
Greifbereich/	0,000-0,000 mm/		
Gripping Range:	0,00-0,00 in		
Eintauchtiefe/	0,000 mm/		
Inside Height:	0000 in		

Example:

7.6 Hints to the renting/leasing of PROBST devices



With every renting/leasing of PROBST devices the **original operating instructions must be included** unconditionally (in deviation of the user's country's language, the respective translations of the original operating instructions must be delivered additionally)!

8 Disposal / recycling of devices and machines



The product **may only** be taken out of service and prepared for disposal / recycling by qualified personnel. Correspondingly existing **single components** (such as metals, plastics, liquids, batteries/rechargeable batteries etc.) **must** be disposed of/recycled in accordance with the nationally/country-specific applicable laws and **disposal regulations!**



The product must not be disposed of in household waste!

Proof of maintenance



Warranty claim for this machine only apply for performance of the mandatory maintenance works (by an authorised specialist workshop)! After each completed performance of a maintenance interval the included form must be fill out, stamped, signed and send back to us immediately. ¹⁾

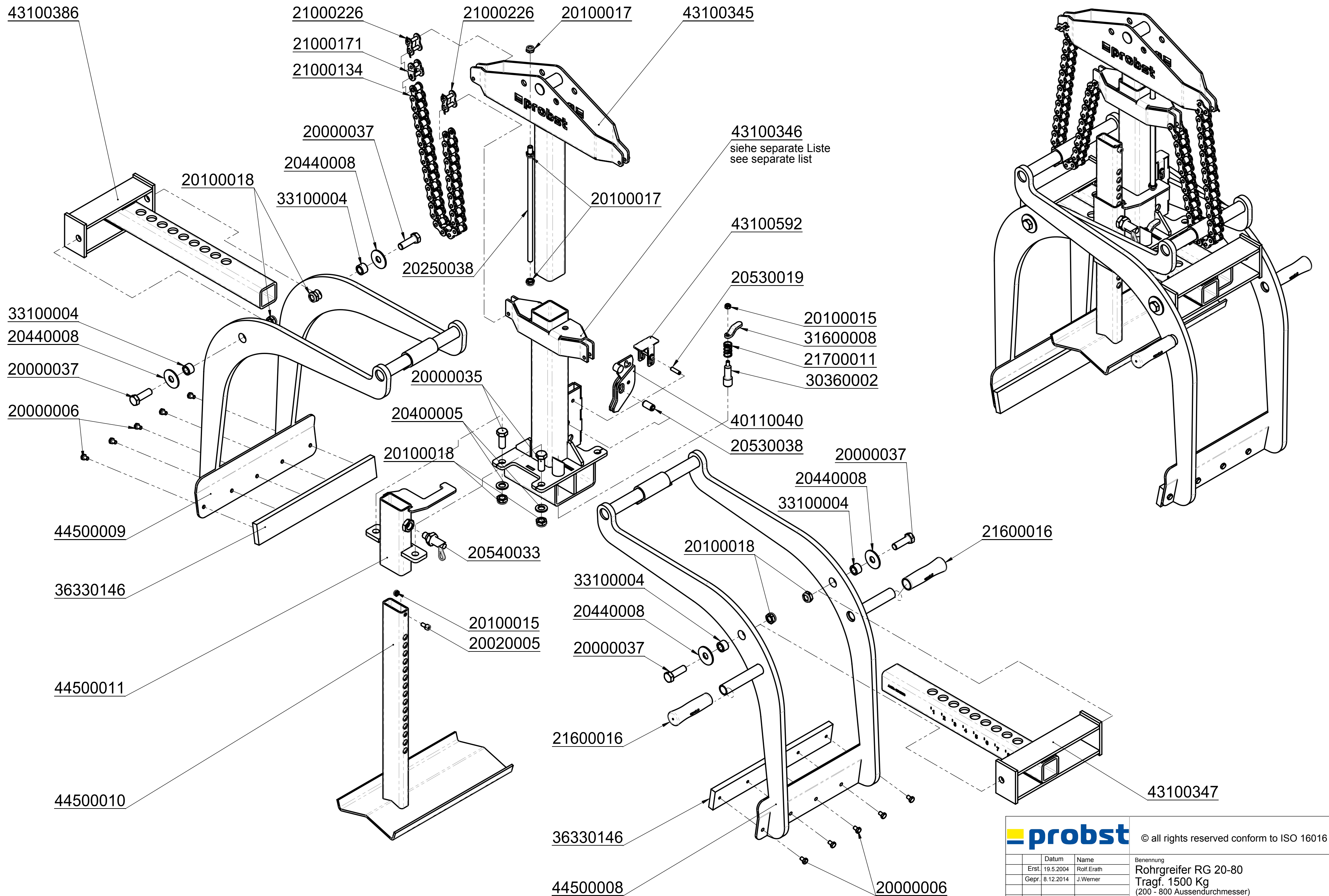
¹⁾ via e-mail to service@probst-handling.de / via fax or post

Operator: _____
 Device type: _____ Article -No.: _____
 Device-No.: _____ Year of make: _____

First inspection after 25 operating hours		
Date:	Maintenance work:	Inspection by company:
		Company Stamp
	
		Name / Signature

All 50 operating hours		
Date:	Maintenance work:	Inspection by company:
		Company Stamp
	
		Name / Signature
		Inspection by company:
		Company Stamp
	
		Name / Signature
		Inspection by company:
		Company Stamp
	
		Name / Signature

Minimum 1x per year		
Date:	Maintenance work:	Inspection by company:
		Company Stamp
	
		Name / Signature
		Inspection by company:
		Company Stamp
	
		Name / Signature



probst		© all rights reserved conform to ISO 16016	
Datum	Name	Benennung	
Erst. 19.5.2004	Rolf.Erath	Rohrgreifer RG 20-80	
Gepr. 8.12.2014	J.Werner	Tragf. 1500 Kg (200 - 800 Aussendurchmesser)	
Zust. Urspr.		Artikelnummer/Zeichnungsnummer	
		E54500002	
		Blatt 1 von 1	
		Ers. f.	Ers. d.

8

7

6

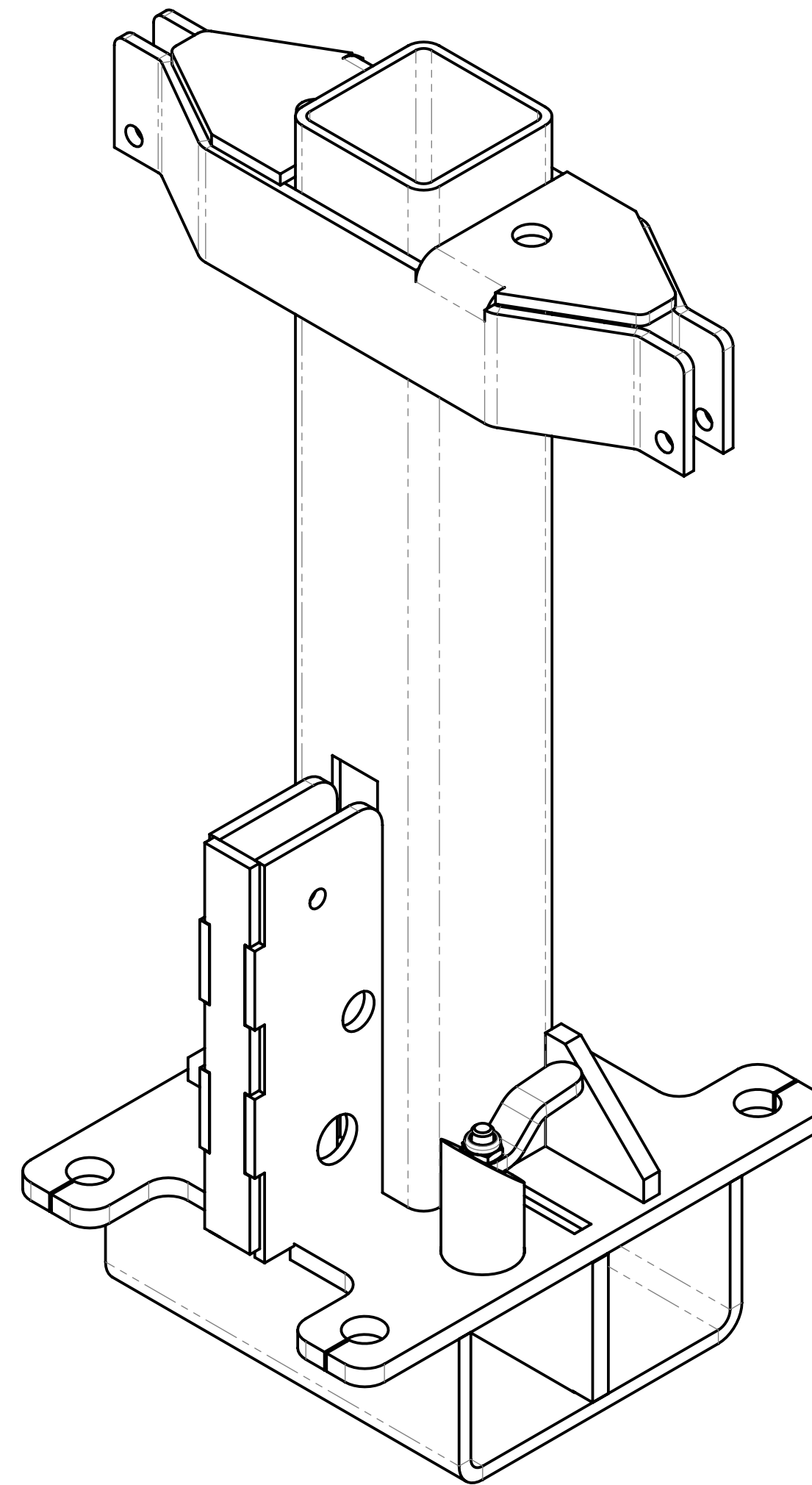
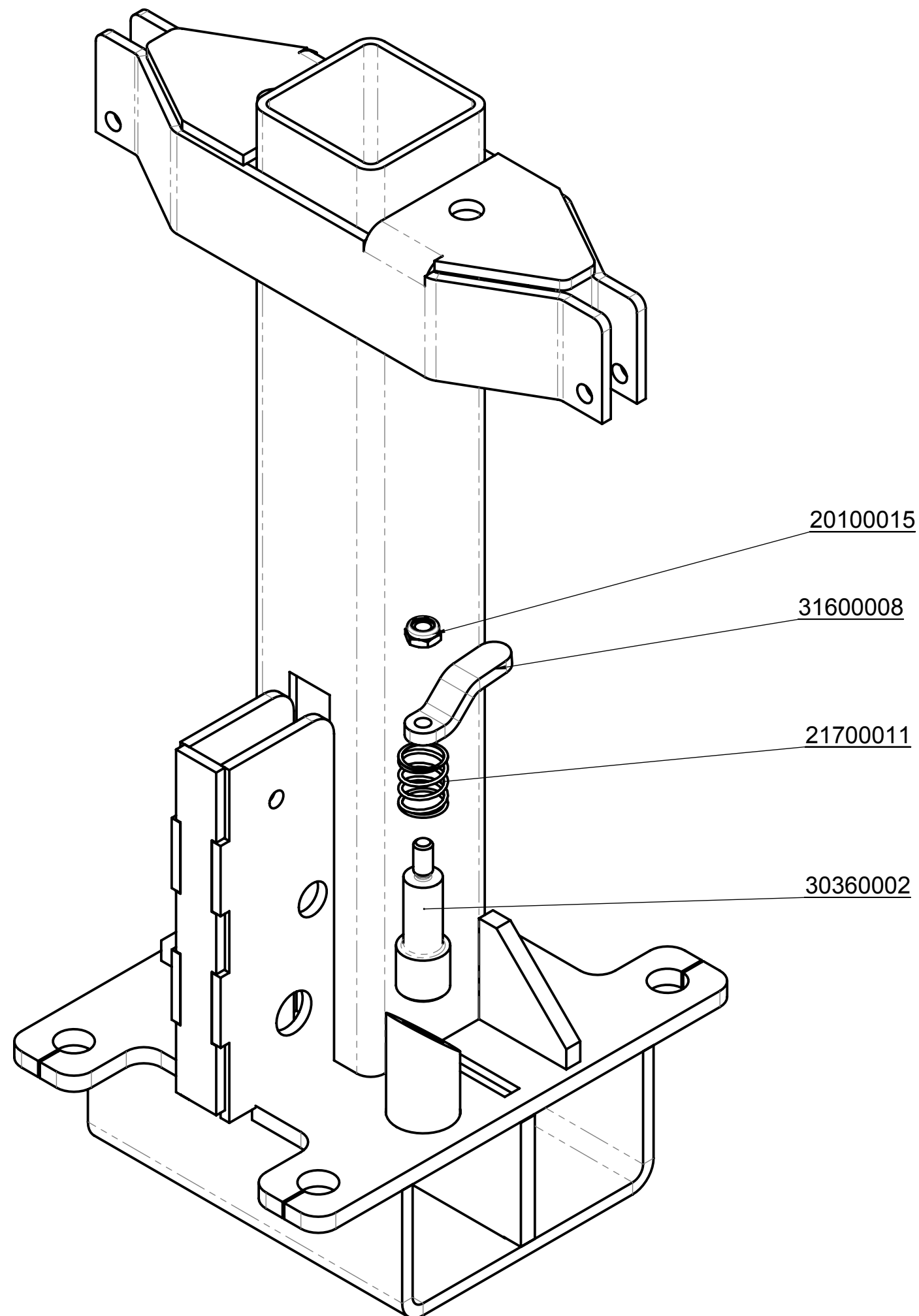
5

4

3

2

1



© all rights reserved conform to ISO 16016

	Datum	Name	Benennung	
	Erst. 7.9.2006	Dietrich.Pannier	Unterteil	
	Gepr. 8.12.2014	J.Werner	FTZ-uni/multi 15/RG 20-80	
			Artikelnummer/Zeichnungsnummer	Blatt
			E43100346	1
				von 1
Zust.	Urspr. G083-20002	Ers. f.		Ers. d.

8

7

6

5

4

3

2

1

Typenschild Beispiel / Type plate example

Art.-Nr.:	12345678	
SN:	31234567-00010-00001	
Baujahr/Year of manufacture:	20XX	
Eigengewicht/Dead Weight:	00,000 kg/00,000 lbs	Probst GmbH Gottlieb-Daimler-Str. 6 20356 Germany
Tragfähigkeit/Working Load Limit:	00,000 kg/00,000 lbs	tel.: +49 7144-3309-0 www.probst-handling.com
Greifbereich/Gripping Range:	0,000-0,000 mm/00,000in	
Eintauchtiefe/Inside Height:	0,000 mm/00,000in	

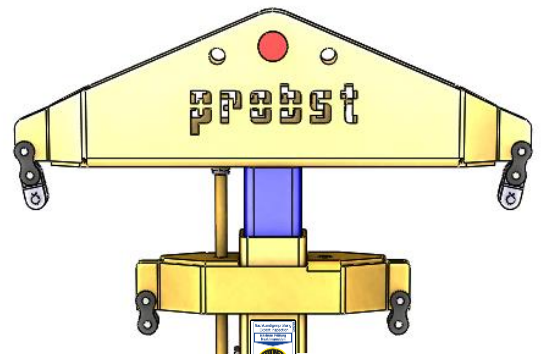
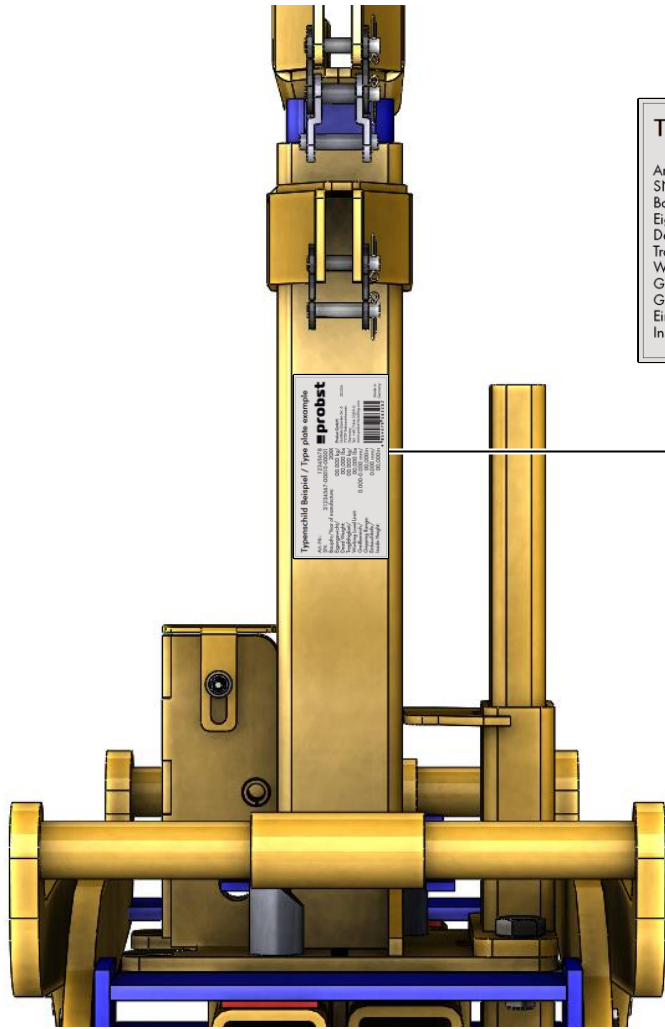
Made in Germany

Sachkundigenprüfung
Expert inspection

Nächste Prüfung
Next inspection

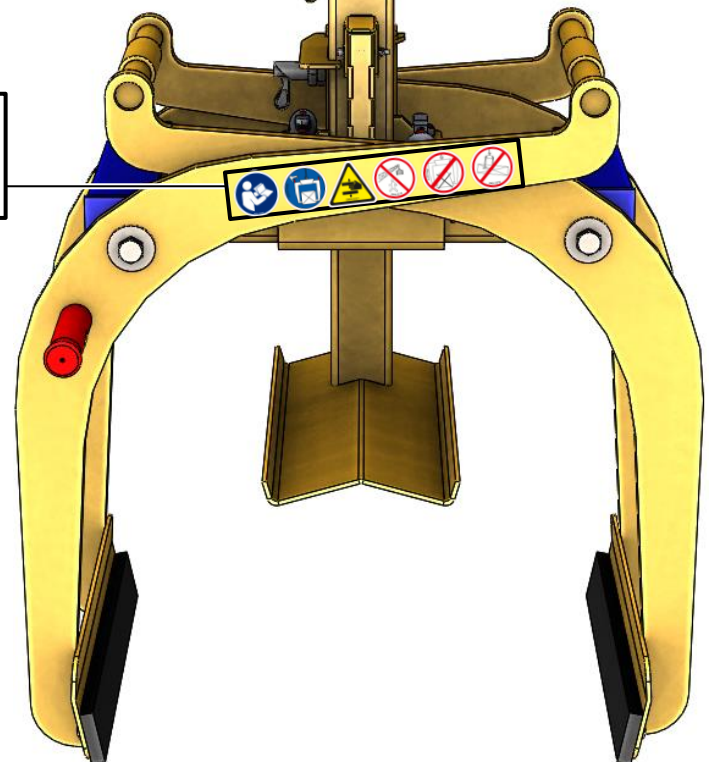
Bei Bedarf früher
If required earlier

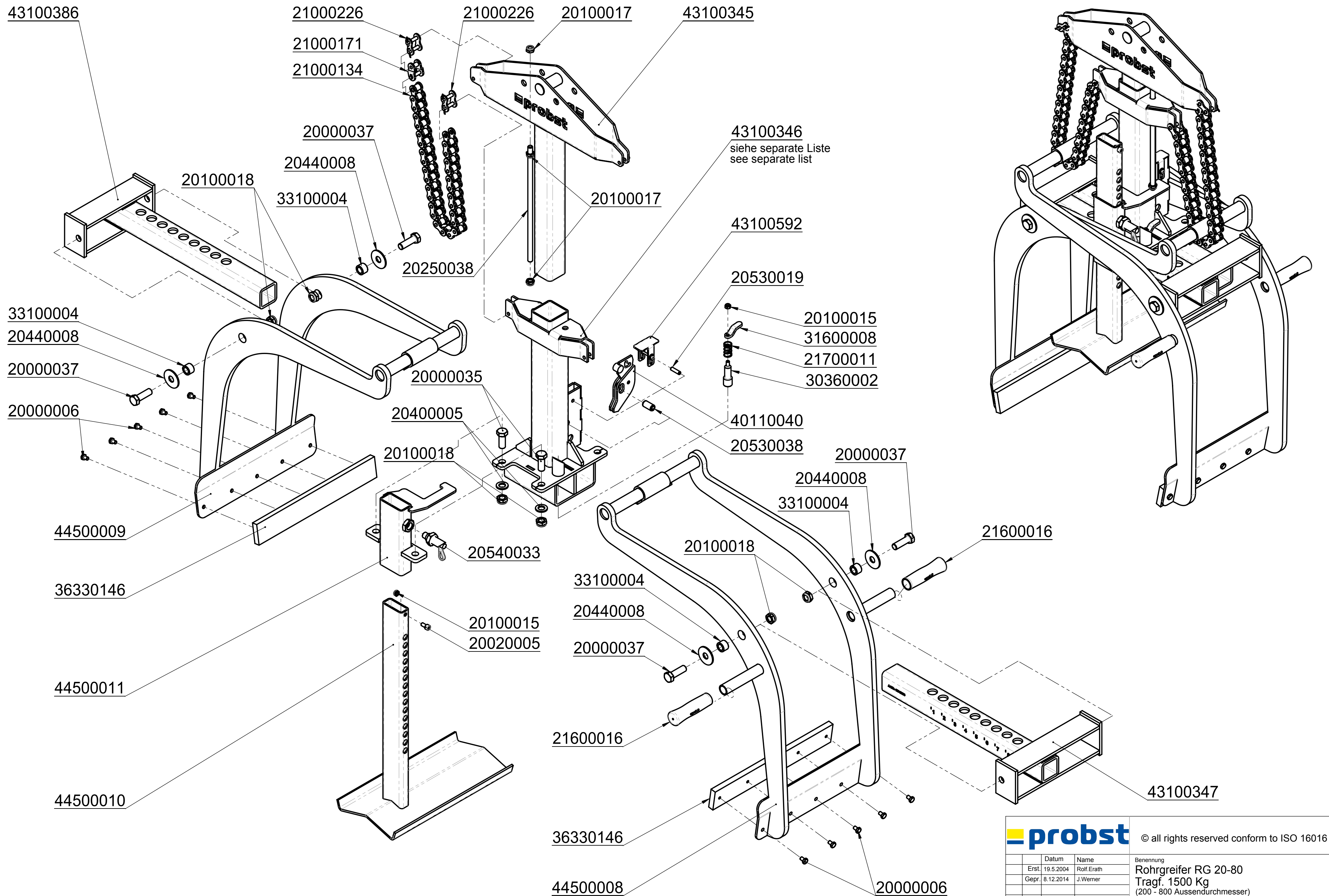
29040056



29040638

Auf beiden Seiten / on both sides





probst		© all rights reserved conform to ISO 16016	
Datum	Name	Benennung	
Erst. 19.5.2004	Rolf.Erath	Rohrgreifer RG 20-80	
Gepr. 8.12.2014	J.Werner	Tragf. 1500 Kg (200 - 800 Aussendurchmesser)	
Artikelnummer/Zeichnungsnummer		Blatt	
E54500002		1	
von 1			
Zust.	Urspr.	Ers. f.	Ers. d.

8

7

6

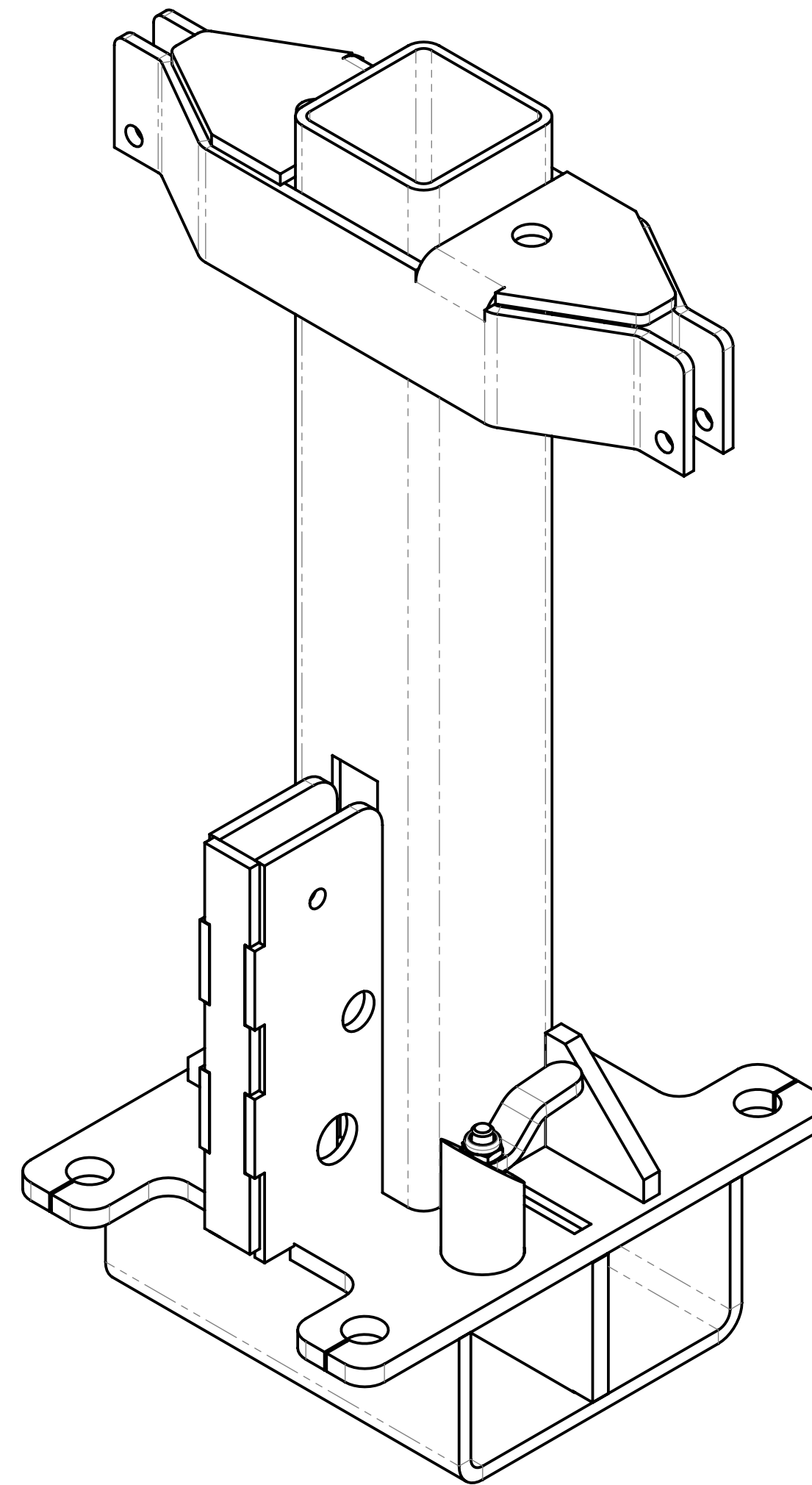
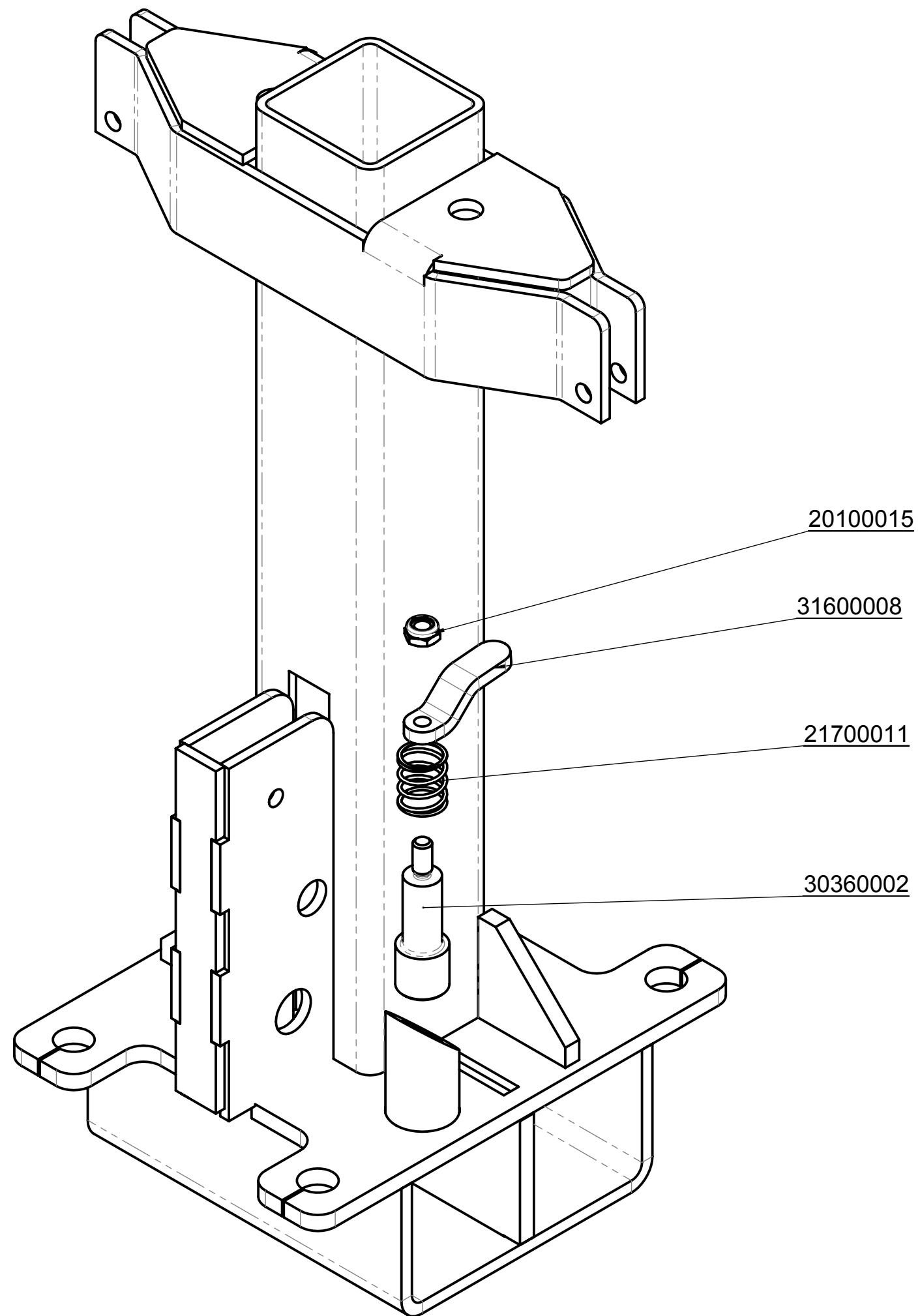
5

4

3

2

1



© all rights reserved conform to ISO 16016

	Datum	Name	Benennung	
	Erst. 7.9.2006	Dietrich.Pannier	Unterteil	
	Gepr. 8.12.2014	J.Werner	FTZ-uni/multi 15/RG 20-80	
			Artikelnummer/Zeichnungsnummer	Blatt
			E43100346	1
				von 1
Zust.	Urspr. G083-20002	Ers. f.		Ers. d.

8

7

6

5

4

3

2

1

Typenschild Beispiel / Type plate example

Art.-Nr.:	12345678	
SN:	31234567-00010-00001	
Baujahr/Year of manufacture:	20XX	
Eigengewicht/Dead Weight:	00,000 kg/00,000 lbs	Probst GmbH Gottlieb-Daimler-Str. 6 20356 Germany
Tragfähigkeit/Working Load Limit:	00,000 kg/00,000 lbs	tel.: +49 7144-3309-0 www.probst-handling.com
Greifbereich/Cripping Range:	0,000-0,000 mm/00,000in	
Eintauchtiefe/Inside Height:	0,000 mm/00,000in	

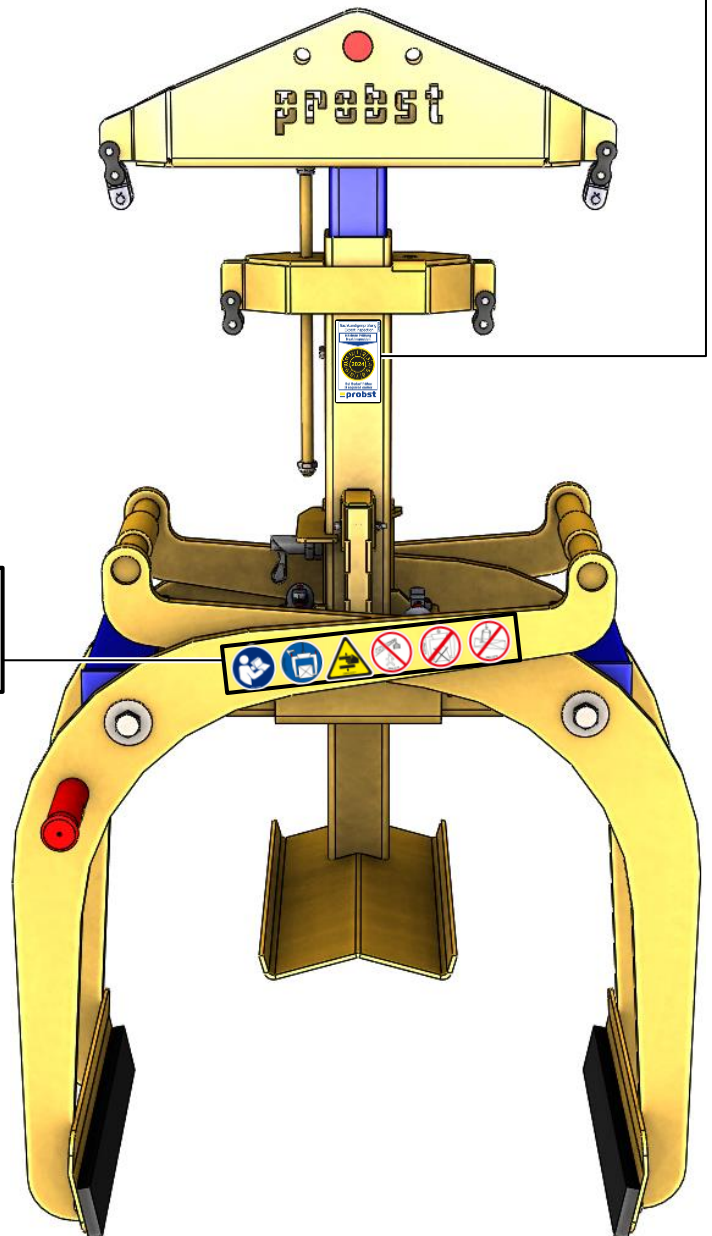
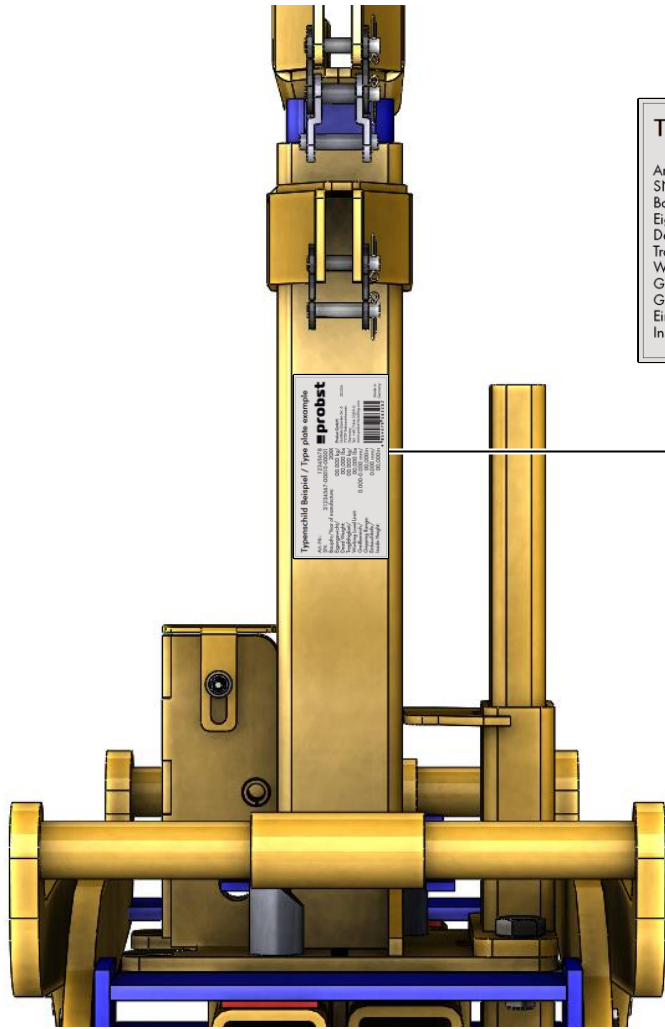
Made in Germany

Sachkundigenprüfung
Expert inspection

Nächste Prüfung
Next inspection

Bei Bedarf früher
If required earlier

29040056



29040638
Auf beiden Seiten / on both sides