

RG-8/40



GB | Operating Instructions

Contents

1	EC-Declaration of Conformity / UKCA-Declaration of Conformity	3
2	Safety	4
2.1	Safety symbols	4
2.2	Explanation of basic concepts	4
2.3	Definition skilled worker / specialist	4
2.4	Safety Marking	5
2.5	Personal safety requirements	6
2.6	Protective equipment	6
2.7	Accident prevention	6
2.8	Function Control	6
2.8.1	General	6
2.9	Safety procedures	7
2.9.1	General	7
2.9.2	Carrier / Lifting device	7
3	General	8
3.1	Authorized use	8
3.2	Survey and construction	9
3.3	Technical data	9
4	Installation	10
4.1	Mechanical connection	10
4.1.1	Lifting eye / Suspension bolt	10
4.1.2	Load hooks and lifting tackle	10
4.1.3	Rotators (optional)	10
4.1.4	Fork sleeves (optional)	11
5	Adjustments	12
5.1	Adjustment of the gripping range	12
5.1.1	Adjustment of the height-adjustable support	13
6	Operation	13
6.1	Device operation	13
6.2	Picture of the automatic release	15
7	Maintenance and care	16
7.1	Maintenance	16
7.1.1	Mechanics	16
7.2	Trouble shooting	17
7.3	Repairs	17
7.4	Safety procedures	18
7.5	Hints to the type plate	19
7.6	Hints to the renting/leasing of PROBST devices	19
8	Disposal / recycling of devices and machines	19

We hereby reserve the right to make changes to the information and illustrations in the operating instructions.

1 EC-Declaration of Conformity / UKCA-Declaration of Conformity

Description: Round Grab RG
 Type: RG-8/40
 Order number: 54500004

Manufacturer: Probst GmbH
 Gottlieb-Daimler-Straße 6
 71729 Erdmannhausen, Germany
 info@probst-handling.de
 www.probst-handling.com



Importer: Probst Ltd
 Unit 2 Fletcher House
 Stafford Park 17
 Telford Shropshire TF3 3DG, United Kingdom
 www.probst-handling.co.uk
 sales@probst-handling.co.uk



The machine described above complies with the relevant requirements of the following EU directives:
The object of the declaration described above is in conformity with the relevant UK-Regulations and UK-Guidelines:

EC-machinery directive 2006/42/EC (Reference: OJ L 157, 09.06.2006)

UK-Regulation: Supply of Machinery (Safety) Regulations 2008 (SI 2008 No. 1597)

The following standards and technical specifications were used:

DIN EN ISO 12100

Safety of machinery - General principles for design - Risk assessment and risk reduction

UK-Regulation: BS EN ISO 12100-1:2003+A1:2009

DIN EN ISO 13857

Safety of machinery - safety distances to prevent hazard zones being reached by upper and lower limbs.

UK-Regulation: BS EN ISO 13857:2019

Authorized person for EC-documentation:

Name: Jean Holderied

Address: Probst GmbH; Gottlieb-Daimler-Straße 6; 71729 Erdmannhausen, Germany

Authorized person for UK-documentation:

Name: Nigel Hughes

Address: Probst Ltd ; Unit 2 Fletcher House; Stafford Park 17; Telford Shropshire TF3 3DG, United Kingdom

Signature, information to the subscriber:

Erdmannhausen, 14.03.2024.....

(Eric Wilhelm, Managing Director)

2 Safety

2.1 Safety symbols



Danger to life!

Identifies imminent hazard. If you do not avoid the hazard, death or severe injury will result.



Hazardous situation!

Identifies a potentially hazardous situation. If you do not avoid the situation, injury or damage to property can result.



Prohibition!

Identifies imminent a prohibition. If you do not avoid the prohibition, death and severe injury, or damage to property will result.



Important information or useful hints for the usage.

2.2 Explanation of basic concepts

Gripping range:	<ul style="list-style-type: none"> specify the minimum and maximum product measurements of the gripping good, which can be gripped with this device.
Gripping good(s):	<ul style="list-style-type: none"> is the product, which will be gripped or transported.
Opening width:	<ul style="list-style-type: none"> consists of the gripping range and the measure to drive over the gripping good. <i>gripping range + measure to drive over the gripping good = opening width</i>
Immersion depth:	<ul style="list-style-type: none"> is the maximum gripping height of gripping goods, conditional of the height of the gripping arms of the device.
Device:	<ul style="list-style-type: none"> is the description for the gripping device.
Product dimensions:	<ul style="list-style-type: none"> Are the dimensions of the gripping good (e.g. length, breadth, height of the product).
Dead weight:	<ul style="list-style-type: none"> is the own weight (without gripping good) of the device.
Carrying capacity/working load limit (WLL*):	<ul style="list-style-type: none"> specify the maximum possible load of the device (for lifting of gripping goods). *= WLL → (english:) <u>W</u>orking <u>L</u>oad <u>L</u>imit
Area in proximity to the ground:	<ul style="list-style-type: none"> the gripping good must be lowered to just above the ground (approx. 0.5 m) immediately after being picked up (e.g. from a pallet or from a truck). For transport, lift the gripping good only as high as necessary (recommendation approx. 0.5 m above the ground).

2.3 Definition skilled worker / specialist



Only skilled workers or specialists are allowed to carry out the installation-, maintenance-, and repair work on this device!

Skilled workers or specialists must have for the following points (if it applies for this device), the necessary professional knowledge.


- for mechanic
- for hydraulics
- for pneumatics
- for electrics

2.4 Safety Marking


PROHIBITION SIGN

Symbol	Meaning	Order-No.	Size
	It is not allowed to stand under hanging loads. Danger to life!	29040210 29040209 29040204	Ø 30 mm Ø 50 mm Ø 80 mm
	Do not lift any components off-centre (always in centre of gravity).	29040216 29040215 29040214	Ø 30 mm Ø 50 mm Ø 80 mm



WARNING SIGN

Symbol	Meaning	Order-No.	Size
	Danger of squeezing the hands.	29040221 29040220 29040107	30 x 30 mm 50 x 50 mm 80 x 80 mm

REGULATORY SIGN

Symbol	Meaning	Order-No.	Size
	Each operator must have read and understood the operating instructions (and all safety instructions).	29040665 29040666 29041049	Ø 30 mm Ø 50 mm Ø 80 mm

OPTIONAL

	Be sure that the fork sleeves are mechanically fixed (with locking screw and safety chain or rope) to the lifting device.	29040223 29040222	Ø 50 mm Ø 80 mm
	The manual guiding of the device is only allowed at the red handles.	29040227 29040226 29040225	Ø 30 mm Ø 50 mm Ø 80 mm

2.5 Personal safety requirements



Each operator must have read and understood the operating instructions (and all safety instructions). Only qualified, authorized personal is allowed to operate the device and all devices which are connected (lifting device/carrier).



The **manual guiding** is **only** allowed for devices **with handles**.
Otherwise there is a risk of injury to the hands!

2.6 Protective equipment

The protective equipment must consist, according to the safety regulations of the following parts:

- Protective clothing
- Safety gloves
- Safety shoes

2.7 Accident prevention



- The workplace has to be covered for unauthorized persons, especially children.
- **Caution at thunderstorm - danger of lightning!**
Depending on the intensity of the thunderstorm, stop working with the device if necessary.



- The workplace must be sufficiently illuminated.
- **Be careful with wet, frozen, iced and dirty building materials! There is a danger of the gripping material slipping out. → DANGER OF ACCIDENT!**

2.8 Function Control

2.8.1 General



- Before every usage of the device check the functions and the working condition.
- Maintenance and lubrication are only permitted when device is shut down!



- Do not use the device, until all faults which can cause safety hazards are removed.
- If there are any cracks, splits or damaged parts on any parts of the device, immediately stop using it.



- The operating instructions must be available at the workplace every time.
- Do not remove the type plate of the machine.
- Unrecognisable information signs (such as regulatory or prohibition signs) must be replaced.

2.9 Safety procedures

2.9.1 General



- The use of the device is only permitted in proximity to the ground. Do not swing it over people heads.
- The stay under lifted load is forbidden. **Danger to Life!**



- The manual guiding of the device is only allowed at the handles.



- While using the device the stay of persons in the working area is forbidden. Except it is indispensable, caused of the way of using the device, e.g. if the device must be leaded by hand.
- Jerky lifting or lowering of the device with or without load is **prohibited**, as well as driving fast with the carrier device/lifting device over uneven terrain! In general, with the load lifted, drive with the lifting equipment (e.g. excavator) **only at walking speed** - avoid unnecessary vibrations. **Danger:** Load could fall down or load handling equipment could be damaged!



- Do not lift any components off-centre (always in centre of gravity), because that **could fall down**.
- The device should not be opened if the opening path of the gripping arm is blocked by a resistance (e.g. other concrete blocks or the like)!



- The operator is not allowed to leave the control unit as long as the device loaded with load. The load must always be in the range of vision of the operator.
- Never exceed the carrying capacity/working load limit (WLL) and the nominal width/gripping range of the device.



- Do not pull out stuck or tightened loads with the device.
- **Never** pull or drag loads sideways. Otherwise parts of the device could be damaged. (see Fig. A →)

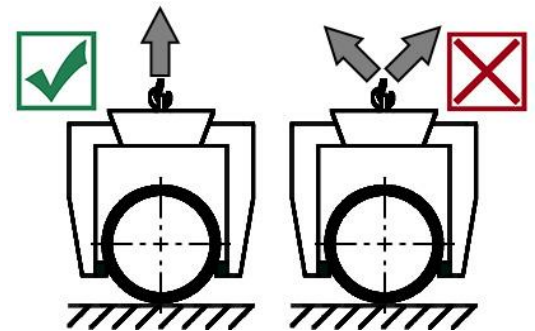


Fig. A

2.9.2 Carrier / Lifting device



- The carrier/lifting gear used (e.g. excavator), including the load-bearing equipment, must be in safe operating condition.
- Only authorized and qualified persons may operate the carrier/lifting equipment.



- **The maximum permitted working load limit (WLL) of the carrier/lifting gear and the lifting gear must not be exceeded under any circumstances!**

3 General

3.1 Authorized use

The device RG-8/40 is used exclusively for gripping, transporting and depositing concrete pipes and stoneware pipes with an outside diameter of 80 mm to 400 mm.

The device is equipped with a suspension eye for various lifting tackle and can therefore be attached to a carrier (e.g. excavator).



- The device is only designed for the use specified in this documentation.
- Every other use is not authorized and is forbidden!
- All relevant safety regulations, corresponding legal regulations, especially regulations of the declaration of conformity, and additional local health and safety regulations must be observed.



Prior to every operation the user **must** ensure that:

- The equipment is suited to the intended operation
- the functioning and the working condition of the equipment is examined
- the load is suitable to be handled.

Any doubts about instructions should be raised with the manufacturer prior to use.



ATTENTION: The use of this device is only permitted in proximity to the ground (→ chapter “Safety at work” and “Explanation of basic concepts”).



NOT ALLOWED ACTIVITIES:

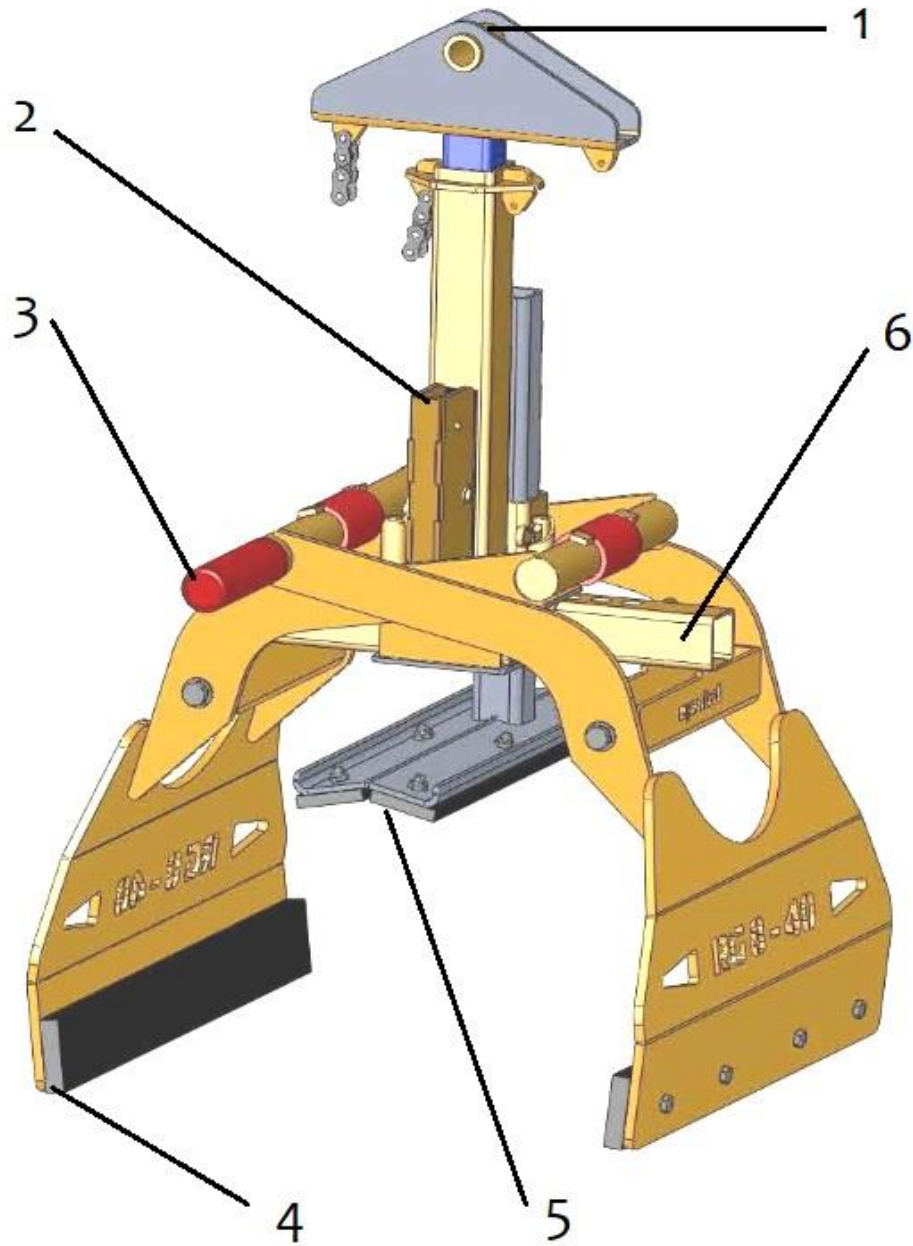
Unauthorized alterations of the device and the use of any self-made additional equipment could cause danger and are therefore **forbidden!**

Carrying capacities (WLL) of the device **must not be exceeded** and **nominal widths/gripping ranges must not be exceeded or fallen short of.**

All unauthorized transports with the device are strictly prohibited:

- Transport of people and animals.
- Gripping and transporting of other loads and materials than described in this operating instructions.
- Never suspend any goods with ropes, chains or similar at the device, except at the designated lifting eyes/-bolts.
- Gripping of gripping goods with **packaging foil**, because they could **fall down**.
- Gripping and transporting of **conical** gripping goods, because they could **fall down**.
- Gripping of gripping goods with surfaces that reduce the coefficient of friction (e.g., abrasive, treated, dirty, frozen, coated, painted surfaces), as this causes a reduction in the coefficient of friction between the grippers and the gripping goods → **Danger of slipping!**
Remedy: In case of dirt of any kind, it is absolutely necessary to clean the grippers and the surface of the products in the area of the grippers **before each** gripping process!
- Gripping of gripped goods, which can deform or break due to the clamping force of the gripping device!
- Gripping of goods which show visible damage, or which may break due to their own weight.

3.2 Survey and construction



1	Suspension bolt for crane hook	4	gripper jaws
2	Automatic changeover for fully automatic switching from "full" to "empty"	5	Height adjustable support
3	Handle for manual guidance of the device	6	Adjustable gripping range

3.3 Technical data

The exact technical data (carrying capacity / working load limit (WLL), dead weight, etc.) are listed on the type plate.

4 Installation

4.1 Mechanical connection

Use only original accessories, in case of doubt consult the manufacturer.



Take care that the **carrying capacity / working load limit (WLL)** of the lifting device/carrier is **not exceeded**, through the load of the device, the optional attaching devices (turning device, fork sleeves, crane boom etc.) and the additional load of the gripping goods!

Gripping devices **always** have to be **gimballed**, so they can swing freely in any position.



In **no case** it is allowed to mount gripping devices with lifting devices/carriers in a **rigid way!**
Break of the suspension may occur within short time. Death, severe injuries and material damage can result!



When using the device on optional attachments (such as fork sleeves, crane boom, etc.), it cannot be excluded, due to the lowest possible construction of the total device (to avoid loss of lifting height), that the device may collide with adjacent components if the device is suspended in an oscillating motion and unfavourable positioning during travel movements of the carrier device. This should be avoided as far as possible by positioning the device appropriately and in a sensible driving style. Damage resulting from this will not be regulated within the scope of the warranty.

4.1.1 Lifting eye / Suspension bolt

The device is equipped with a lifting eye / suspension bolt and can be mounted on various carrier / lifting devices.



Take care that the lifting eye / suspension bolt is safely joined with the lifting tackle (e.g. crane hook, belt) and cannot slide down.

4.1.2 Load hooks and lifting tackle



The device is attached to the carrier/lifting device with a load hook or a suitable lifting tackle.

Ensure that the single chains strands are not twisted or knotted.

Attaching the device to the lifting device/carrier, take care that all local safety regulation is observed.

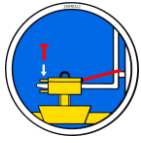
4.1.3 Rotators (optional)



When using rotators, a free-wheel throttle valve **must be** installed.

In order to prevent a sudden speedup and stopping the rotational movements, as this may **damage** the device within a short time.

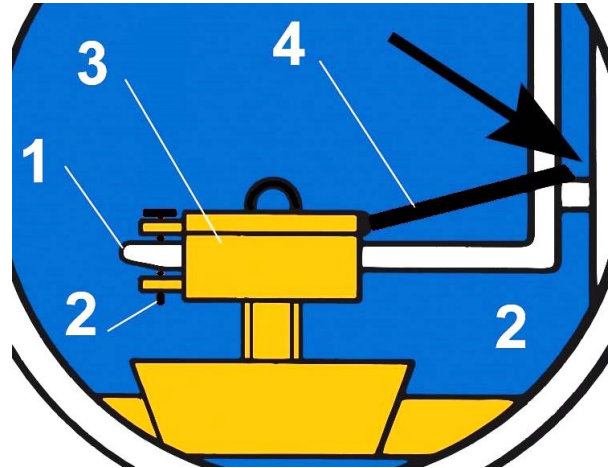
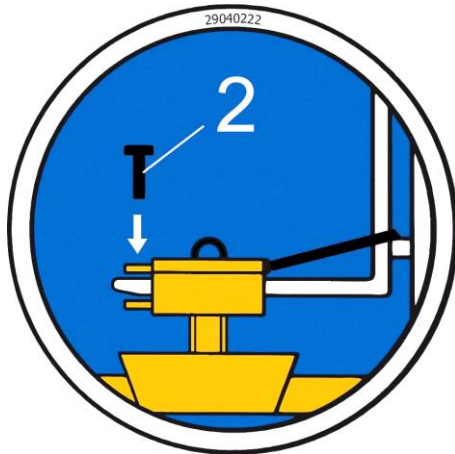
4.1.4 Fork sleeves (optional)



In order to connect the forklift truck and the fork sleeve (3), the forklift truck forks (1) are inserted into the fork sleeve (3). The forks (1) are locked either by using the locking screws (2), which are inserted through a hole in the forks (1), or by using a chain or rope, which must be placed through the eyelet on the fork sleeve (3) and around the fork carrier (4).



This connection must be made, otherwise the fork sleeve may slip off the forklift forks during forklift handling. **DANGER OF ACCIDENT!**



5 Adjustments

5.1 Adjustment of the gripping range

By changing the gripping range, the RG-8/40 device can be used to grip goods of different sizes (concrete pipes).

Before a material to be gripped can be lifted and moved, the corresponding gripping range and the height-adjustable support must be set.

- The gripping range must **never be** set on both sides at the same time. **Always set the gripping range first on one side and then on the other.**
- Pull spring bolt (1) upwards and turn by 180°.
- Move the rectangular tube (2) until the gripping range is approx. 5 cm larger than the material to be gripped.
- Pull the spring bolt (1) upwards again and turn it by 180°.
- Push the rectangular tube (2) back and forth until the spring bolt (1) engages in the corresponding hole.
- Gripper range adjustment must generally be **symmetrical**. This means that the same adjustment hole must be used for both rectangular tubes.



- Take care when adjusting the gripping range. **Risk of injury to hands!** Use protective gloves. →

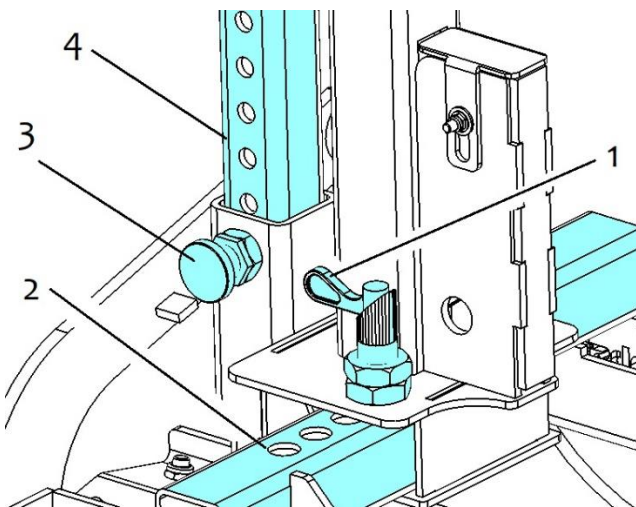


Fig. 1

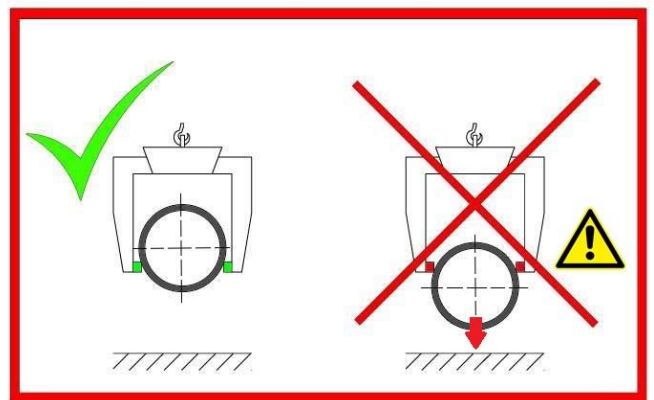


Fig. 2

5.1.1 Adjustment of the height-adjustable support

The height-adjustable support is adjusted as follows:

- Pull the cotter pin (3) upwards and turn it by 180°.
- Move the rectangular tube (4) until the correct immersion depth is set. Pull the cotter pin (3) upwards again and turn it by 180°.
- Push the rectangular tube (4) back and forth until the spring bolt (3) engages in the corresponding hole.



The height-adjustable support must always be set so that the gripping jaws always grip the concrete pipe below the largest pipe diameter, otherwise there is a danger of slipping!!
→ Fig. 2

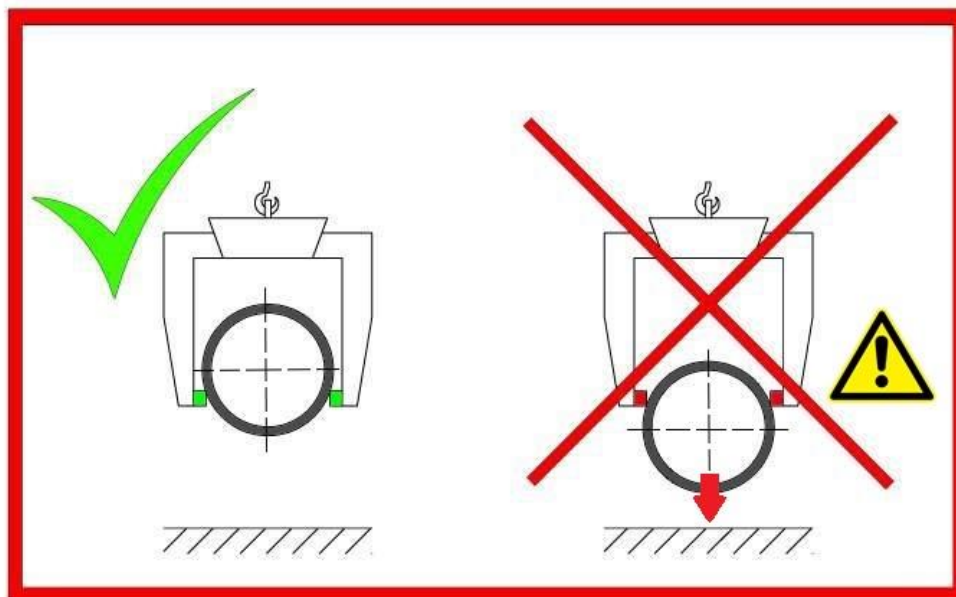
6 Operation

6.1 Device operation

- Attach the device (RG-8/40) to the carrier/hoist using the suspension eye.
- Adjust the opening width/gripping range and height-adjustable support according to the material to be gripped (concrete pipe).
- Position the implement (RG-8/40) above the material to be gripped and lower it until the support rests on it.
- As soon as the implement is completely lowered, the automatic changeover unlocks and closes during the subsequent lifting.
- Transport the material to be gripped (concrete pipe) to the determination position.
- Lower the implement (RG-8/40). The automatic change-over switches to locking when the load is relieved, whereby the device can be lifted again.

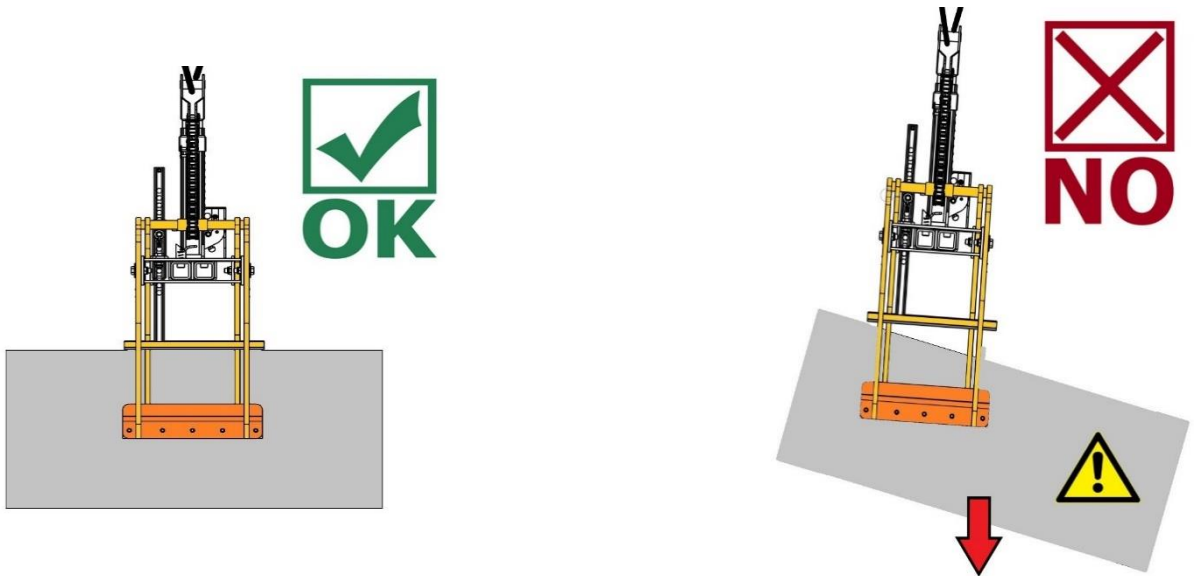


Goods to be gripped (concrete pipes) must always be gripped below the largest pipe diameter. Otherwise there is a danger of slipping! DANGER TO LIFE!!! ↓





The concrete pipes must be gripped in centre of gravity, otherwise there is a danger of slipping off!



Be sure that the concrete tubes are completely hardened.



Gripping goods can slip away or roll away if they are deposited on slopes, unpaved or uneven ground! Death and serious injuries can result.

Always place gripping goods only on horizontal, stable and level ground.
Always secure pipes against rolling away, for example with wedges.



Without lifting equipment/carrier the device may only be parked on even ground!
The gripping arms must be opened enough to ensure safe standing of the implement!
Otherwise there is a risk of tipping!

6.2 Picture of the automatic release

The device is equipped with an automatic release, that means the OPENING and CLOSING of the gripping arms results through the set down and lifting of the device.

Pictures of the positions of the automatic release:

<p>1</p> <ul style="list-style-type: none"> • Device is lifted through the lifting equipment/carrier • Gripping arms are opened 	<p>2</p> <ul style="list-style-type: none"> • Device is set up on the gripping good • Gripping arms are opened 	<p>3A</p> <ul style="list-style-type: none"> • Device is lifted through the lifting equipment/carrier • Gripping good is clamped and can be transported to the destination
<p>3B</p> <ul style="list-style-type: none"> • With faulty switching, the change-over switch must be pushed back manually (e.g. with a screwdriver)¹⁾ 	<p>4</p> <ul style="list-style-type: none"> • Device is set down with the gripping good (on the ground) • Gripping arms are opening 	<p>5/1</p> <ul style="list-style-type: none"> • Device is lifted through the lifting equipment/carrier • Gripping arms are opened (laydown position of the device on the ground)



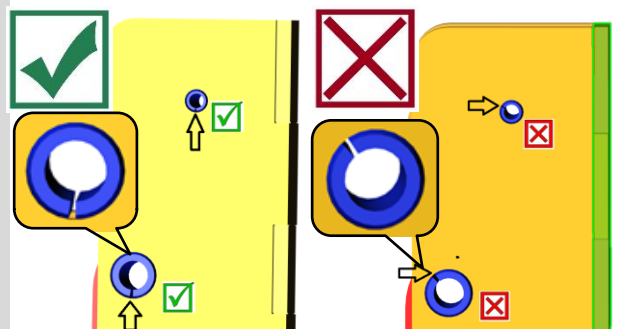
¹⁾ Otherwise there may be faulty switching and when setting down the load this can cause deformation or damage of the automatic release!

The jerky lifting and lowering of the device with and without load. e.g. caused through driving fast with the lifting equipment/carrier over uneven grounds is **forbidden**



When replacing a defective automatic release, it is essential to ensure that the slots of the two clamping pins **always** point downwards.

The position of the slots **must not be** above or center, otherwise there is a risk that the automatic release may jam when switching!



7 Maintenance and care

7.1 Maintenance



To ensure the correct function, safety and service life of the device the following points must be executed in the maintenance interval.

Used **only original spare parts**, otherwise the warranty expires.

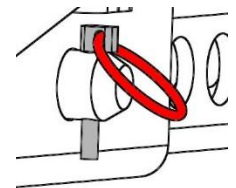
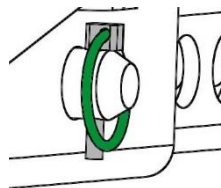


All operations may only be made in closed state of the device!
For all operations you have to make sure, that the device will not close unintended. **Danger of injury!**

7.1.1 Mechanics

MAINTENANCE PERIOD	Work to be carried out
Initial inspection after 25 operating hours	<ul style="list-style-type: none"> Check or retighten all fixing screws (may only be carried out by a qualified person).
Every 50 operating hours	<ul style="list-style-type: none"> Retighten all fixing screws (make sure that the screws are retightened according to the valid tightening torques of the corresponding strength classes). Check all existing safety elements (such as folding pins) for proper function and replace defective safety elements. → 1) Check all joints, guides, pins and sprockets, chains for proper function, readjust or replace if necessary. Check gripper jaws (if present) for wear and clean, replace if necessary. All existing sliding guides, rack gears and joints of moving parts or machine components must be greased / lubricated to reduce wear and for optimum movement sequences (recommended grease: Mobilgrease HXP 462). Lubricate all grease nipples (if present) with grease gun.
At least 1x per year (shorten the inspection interval in case of harsh operating conditions)	<ul style="list-style-type: none"> Inspection of all suspension parts, as well as bolts and brackets. Inspection for cracks, wear, corrosion and functional safety by an expert.

1)



AUTOMATIC-RELEASE



Never grease or oil the automatic-release!
Clean with high-pressure cleaner when the automatic-release is dirty.

7.2 Trouble shooting

ERROR	CAUSE	REPAIR
The clamping-power is not big enough, the load is slipping out		
(optional)	The grippers are worn	Replace the grippers
(optional)	The maximum load is exceed	Reduce the weight of. the load
(Adjustment of the gripping range) (optional)	The actual opening width is not correct	Adjust the gripping range according to the load you want to transport
(Property of material)	The surface of the material is dirty or the material is not suitable / allowed for this device.	Check the surface of the material or ask the manufacturer, if you the material is allowed for this device.
Unbalanced load		
	The device is not loaded symmetrically	Adjust the position of the load
(Adjustment of the gripping range) (optional)	The adjustment of the gripping range is not symmetrical.	Correct the adjustment of the gripping range
Automatic release does not work		
mechanical (optional)	Automatic release does not work	Clean automatic release with high pressure-cleaner Correct faulty switching (→see chapter "Picture of the automatic release") Change the inset of the automatic release

7.3 Repairs





Only persons with the appropriate knowledge and ability are allowed to repair the device. Before the device is used again, it **has to be** checked by a qualified person or an expert.

7.5 Hints to the type plate



- Type, serial-number and production year are very important for the identification of your device. If you need information to spare-parts, warranty or other specific details please refer to this information's.
- The maximum carrying capacity/working load limit (WLL) is the maximum load which can be handled with the device. **Do not** exceed this carrying capacity/working load limit (WLL).
- If you use the device in combination with other lifting equipment (Crane, chain hoist, forklift truck, excavator) consider the deadweight of the device.

XXX-XXX-XXX			
Art.-Nr.:	12345678		
S/N:	31234567-00010-00001		
Baujahr/Year of manufacture:	20XX		
Eigengewicht/ Dead Weight:	00,000 kg/ 00,000 lbs	Probst GmbH	20356
Tragfähigkeit/ Working Load Limit:	00,000 kg/ 00,000 lbs	Gottlieb-Daimler-Str. 6	71729 Eilsamhausen
Greifbereich/ Gripping Range:	0,000-0,000 mm/ 0,00-0,00 in	Germany	www.probst-handling.com
Eintauchtiefe/ Inside Height:	0,000 mm/ 0000 in	UK CA	CE
		 4 854979 583282	

Example:

7.6 Hints to the renting/leasing of PROBST devices



With every renting/leasing of PROBST devices the **original operating instructions must be included** unconditionally (in deviation of the user's country's language, the respective translations of the original operating instructions must be delivered additionally)!

8 Disposal / recycling of devices and machines



The product **may only** be taken out of service and prepared for disposal / recycling by qualified personnel. Correspondingly existing **single components** (such as metals, plastics, liquids, batteries/rechargeable batteries etc.) **must** be disposed of/recycled in accordance with the nationally/country-specific applicable laws and **disposal regulations!**



The product must not be disposed of in household waste!

Proof of maintenance



Warranty claim for this machine only apply for performance of the mandatory maintenance works (by an authorised specialist workshop)! After each completed performance of a maintenance interval the included form must be fill out, stamped, signed and send back to us immediately. ¹⁾

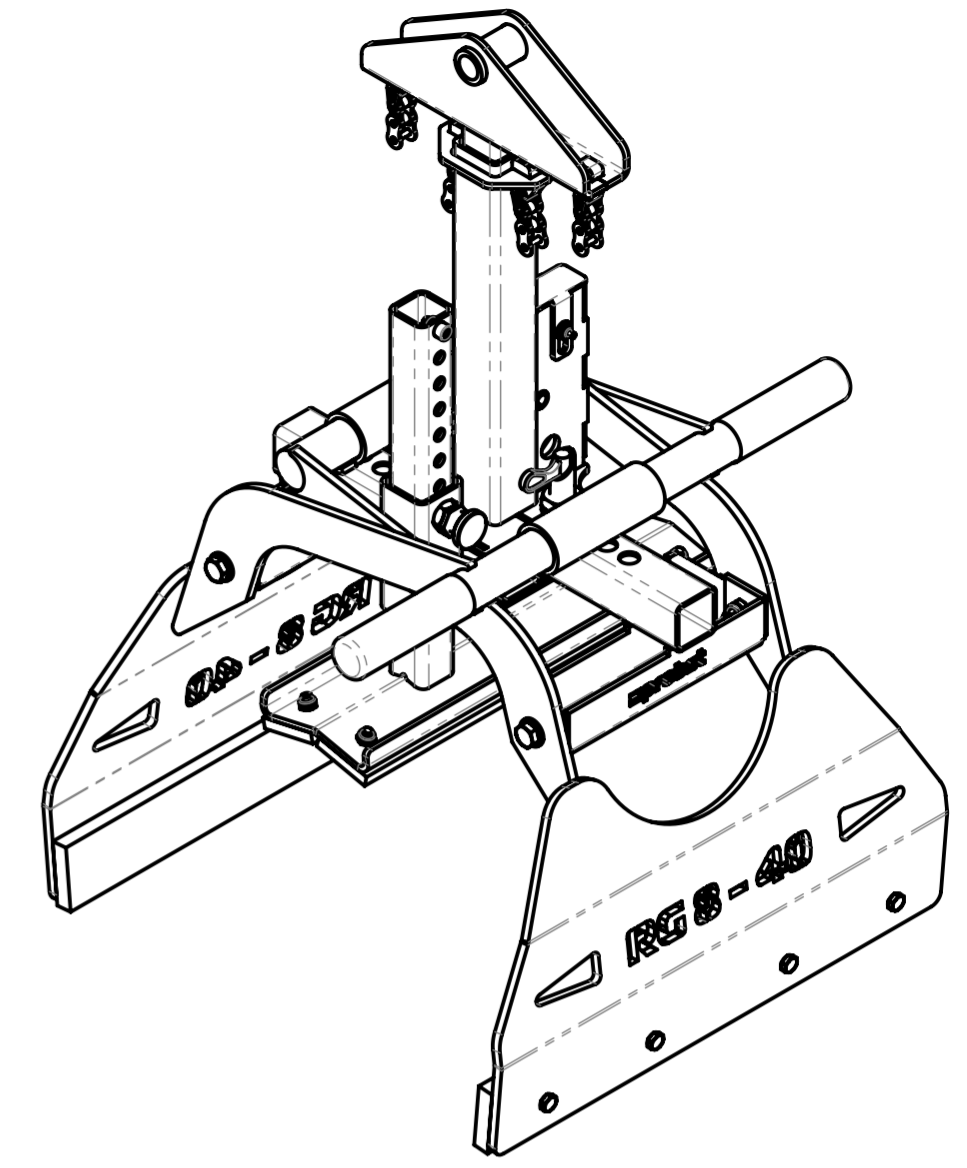
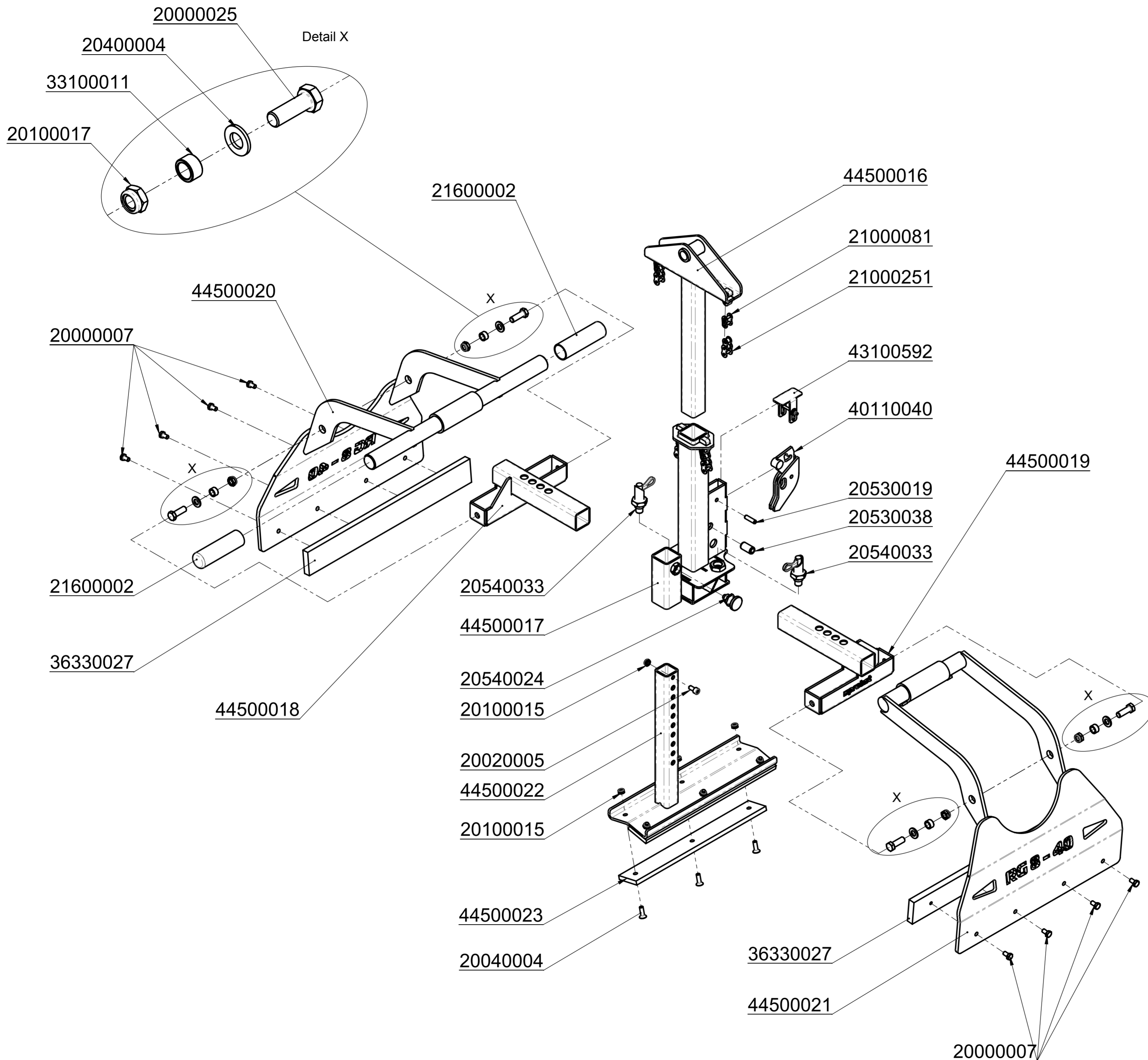
¹⁾ via e-mail to service@probst-handling.de / via fax or post

Operator: _____
 Device type: _____ Article -No.: _____
 Device-No.: _____ Year of make: _____

First inspection after 25 operating hours		
Date:	Maintenance work:	Inspection by company:
		Company Stamp
	
		Name / Signature

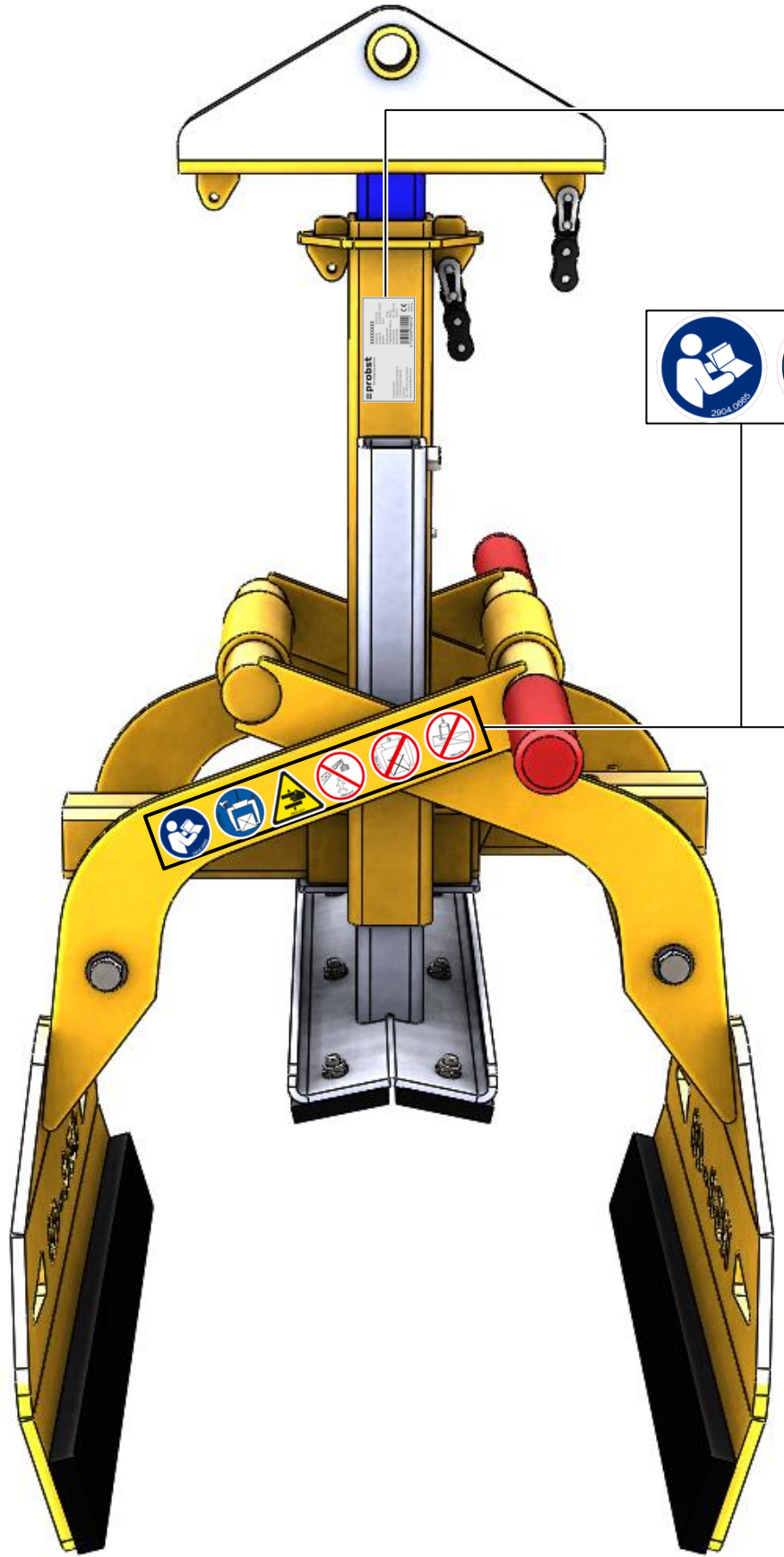
All 50 operating hours		
Date:	Maintenance work:	Inspection by company:
		Company Stamp
	
		Name / Signature
		Inspection by company:
		Company Stamp
	
		Name / Signature
		Inspection by company:
		Company Stamp
	
		Name / Signature

Minimum 1x per year		
Date:	Maintenance work:	Inspection by company:
		Company Stamp
	
		Name / Signature
		Inspection by company:
		Company Stamp
	
		Name / Signature



		© all rights reserved conform to ISO 16016	
	Datum	Name	Benennung
	Erst. 26.3.2013	Alexander.Renger	Rohrgreifer RG-8/40
	Gepr. 30.1.2019	R.Seidel	(80 - 400 mm Aussendurchmesser)
			Artikelnummer/Zeichnungsnummer
			E54500004
Zust.	Urspr.	Ers. f.	Ers. d.
			Blatt 1 von 1

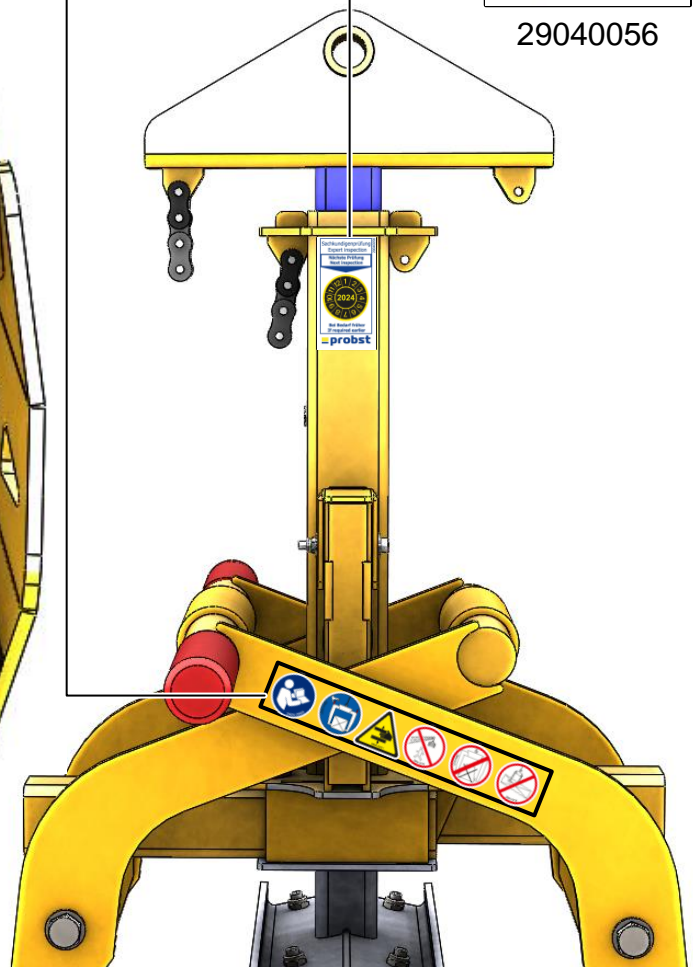
Typenschild Beispiel / Type plate example		probst	
Art.-Nr.:	12345678	Probst GmbH	20356
SN:	31234567-00010-00001	Stiftels-Dorfer Str. 6	57291 Endersbach
Baujahr/Year of manufacture:	20XX	Str. 49/744-3309-0	www.probst-handling.com
Eigengewicht/Dead Weight:	00.000 kg/00.000 lbs		
Tragfähigkeit/Working Load Limit:	00.000 kg/00.000 lbs		
Greifbereich/Gripping Range:	0.000-0.000 mm/00.000in		
Entschleife/Inside Height:	0.000 mm/00.000in		



29040629
auf beiden Seiten/on both sides



29040056



DE	Bitte beachten Sie, dass das Produkt ohne vorliegende Betriebsanleitung in Landessprache nicht eingesetzt / in Betrieb gesetzt werden darf. Sollten Sie mit der Lieferung des Produkts keine Betriebsanleitung in Ihrer Landessprache erhalten haben, kontaktieren Sie uns bitte. In Länder der EU / EFTA senden wir Ihnen diese kostenlos nach. Für Länder außerhalb der EU / EFTA erstellen wir Ihnen gerne ein Angebot für eine Betriebsanleitung in Landessprache, falls die Übersetzung nicht durch den Händler/Importeur organisiert werden kann.
GB	Please note that the product may not be used / put into operation without these operating instructions in the national language. If you did not receive operating instructions in your national language with the delivery of the product, please contact us. In countries of the EU / EFTA we will send them to you free of charge. For countries outside the EU / EFTA, we will be pleased to provide you with an offer for an operating manual in the national language if the translation cannot be organised by the dealer/importer.
FR	Veillez noter que le produit ne doit pas être utilisé / mis en service sans le présent mode d'emploi dans la langue du pays. Si vous n'avez pas reçu de mode d'emploi dans votre langue lors de la livraison du produit, veuillez nous contacter. Dans les pays de l'UE / AELE, nous vous l'enverrons gratuitement. Pour les pays en dehors de l'UE / AELE, nous vous soumettons volontiers une offre pour un mode d'emploi dans la langue du pays si la traduction ne peut pas être organisée par le revendeur / l'importateur.
IT	Si prega di notare che il prodotto non può essere utilizzato/messo in funzione senza le istruzioni per l'uso nella lingua locale. Se con la consegna del prodotto non avete ricevuto le istruzioni per l'uso nella vostra lingua nazionale, contattateci. Le invieremo gratuitamente nei Paesi UE/EFTA. Per i Paesi al di fuori dell'UE/EFTA, saremo lieti di fornirvi un preventivo per le istruzioni per l'uso nella lingua locale se la traduzione non può essere organizzata dal rivenditore/importatore.
NL	Houd er rekening mee dat het product niet mag worden gebruikt / in gebruik genomen zonder bedieningshandleiding in de lokale taal. Als u bij de levering van het product geen bedieningshandleiding in uw landstaal hebt ontvangen, neem dan contact met ons op. Wij sturen u deze gratis toe in de EU/EVA-landen. Voor landen buiten de EU/EVA doen wij u graag een voorstel voor een gebruiksaanwijzing in de lokale taal als de vertaling niet kan worden geregeld door de dealer/importeur.
ES	Tenga en cuenta que el producto no puede utilizarse / ponerse en funcionamiento sin instrucciones de uso en el idioma local. Si no ha recibido las instrucciones de funcionamiento en su idioma nacional con la entrega del producto, póngase en contacto con nosotros. Se las enviaremos gratuitamente en los países de la UE / AELC. Para los países fuera de la UE / AELC, estaremos encantados de proporcionarle un presupuesto para las instrucciones de funcionamiento en el idioma local si la traducción no puede ser organizada por el distribuidor / importador.
PL	Należy pamiętać, że produkt nie może być używany / uruchamiany bez instrukcji obsługi w lokalnym języku. Jeśli wraz z produktem nie dostarczono instrukcji obsługi w języku danego kraju, prosimy o kontakt. Wyślemy ją bezpłatnie w krajach UE/EFTA. W przypadku krajów spoza UE / EFTA z przyjemnością przedstawimy wycenę instrukcji obsługi w języku lokalnym, jeśli sprzedawca / importer nie może zorganizować tłumaczenia.
BG	Моля, обърнете внимание, че продуктът не може да се използва/въвежда в експлоатация без инструкции за експлоатация на местния език. Ако с доставката на продукта не сте получили инструкции за експлоатация на вашия национален език, моля, свържете се с нас. Ние ще ви ги изпратим безплатно в страните от ЕС/ЕАСТ. За страните извън ЕС/ЕАСТ с удоволствие ще Ви предоставим оферта за инструкции за експлоатация на местния език, ако преводът не може да бъде организиран от търговеца/вносителя.
DK	Vær opmærksom på, at produktet ikke må anvendes / tages i brug uden en betjeningsvejledning på det lokale sprog. Hvis du ikke har modtaget en betjeningsvejledning på dit nationale sprog ved levering af produktet, bedes du kontakte os. Vi sender den gratis til dig i EU/EFTA-lande. I lande uden for EU/EFTA giver vi gerne et tilbud på en brugsanvisning på det lokale sprog, hvis oversættelsen ikke kan organiseres af forhandleren/importøren.
ET	Pange tähele, et toodet ei tohi kasutada / kasutusele võtta ilma kohaliku keele koostatud kasutusjuhendita. Kui te ei ole toote tarnimisel saanud kasutusjuhendit teie riigikeeles, võtke meiega ühendust. Me saadame need teile tasuta ELI/EFTA riikides. Väljaspool ELI/EFTA riike esitame teile hea meelega pakkumise kohalikus keeles kasutusjuhendi saamiseks, kui edasimüüja/importija ei saa tõlkimist korraldada.
FI	Huomaa, että tuotetta ei saa käyttää / ottaa käyttöön ilman paikalliskielisiä käyttöohjeita. Jos et ole saanut käyttöohjeita kansallisella kielelläsi tuotteen toimituksen yhteydessä, ota meihin yhteyttä. Lähetämme ne sinulle maksutta EU- / EFTA-maissa. EU:n / EFTA:n ulkopuolisissa maissa annamme mielellämme tarjouksen käyttöohjeista paikallisella kielellä, jos jälleenmyyjä / maahantuojia ei voi järjestää käännöstä.
GR	Λάβετε υπόψη ότι το προϊόν δεν επιτρέπεται να χρησιμοποιηθεί/να τεθεί σε λειτουργία χωρίς οδηγίες λειτουργίας στην τοπική γλώσσα. Εάν δεν έχετε λάβει οδηγίες λειτουργίας στην εθνική σας γλώσσα με την παράδοση του προϊόντος, παρακαλούμε επικοινωνήστε μαζί μας. Θα σας τις στείλουμε δωρεάν στις χώρες της ΕΕ / ΕΖΕΣ. Για χώρες εκτός ΕΕ / ΕΖΕΣ, θα χαρούμε να σας παραχούμε προσφορά για οδηγίες λειτουργίας στην τοπική γλώσσα, εάν η μετάφραση δεν μπορεί να οργανωθεί από τον αντιπρόσωπο / εισαγωγέα.
IS	Vinsamlega athugið að ekki má nota/taka í notkun vöruna nema notkunarleiðbeiningar séu á heimatungumáli. Ef þú fékkst ekki notkunarhandbók á þínu tungumáli þegar varan var afhent, vinsamlegast hafðu samband við okkur. Við munum senda þér þetta ókeypis til ESB / EFTA landa. Fyrir lönd utan ESB / EFTA munum við gjarnan veita þér tilboð um notkunarhandbók á heimatungumáli ef söluáðili/innflytjandi getur ekki skipulagt þýðinguna.
HR	Imajte na umu da se proizvod ne smije koristiti/pustiti u rad bez uputa za uporabu na lokalnom jeziku. Ako niste primili priručnik za uporabu na vašem lokalnom jeziku kada je proizvod isporučen, kontaktirajte nas. Poslat ćemo vam ih besplatno u zemlje EU / EFTA. Za zemlje izvan EU / EFTA, rado ćemo vam pružiti ponudu za priručnik za uporabu na lokalnom jeziku ako prijedlog ne može organizirati trgovac/uvoznik.
LV	Lūdzu, ņemiet vērā, ka izstrādājumu nedrīkst lietot/nodot ekspluatācijā bez lietošanas instrukcijas vietējā valodā. Ja līdz ar izstrādājuma piegādi neesat saņēmis lietošanas instrukciju valsts valodā, lūdzu, sazinieties ar mums. ES/EFTA valstīs mēs jums tās nosūtīsim bez maksas. Valstīs ārpus ES/EFTA valstīm, ja tulkojumu nevarēs nodrošināt tirgotājs/importētājs, mēs labprāt sniegsim jums ekspluatācijas instrukciju vietējā valodā.
LT	Atkreipkite dėmesį, kad gaminio negalima naudoti ir (arba) pradėti eksploatuoti be naudojimo instrukcijos vietine kalba. Jei kartu su gaminiu pristatymu negavote naudojimo instrukcijos savo šalies kalba, susisiekite su mumis. ES / ELPA šalyse jas išsiųsime nemokamai. ES / ELPA nepriklausančiose šalyse mes mielai pateiksime jums eksploataavimo instrukcijų vietine kalba pasiūlymą, jei pardavėjas / importuotojas negalės išversti instrukcijų į vietinę kalbą.
NO	Vær oppmerksom på at produktet ikke må brukes/tas i bruk uten en bruksanvisning på det lokale språket. Hvis du ikke har mottatt en bruksanvisning på ditt eget språk ved levering av produktet, ber vi deg ta kontakt med oss. Vi sender deg bruksanvisningen kostnadsfritt i EU/EFTA-land. For land utenfor EU/EFTA gir vi deg gjerne et tilbud på en bruksanvisning på det lokale språket hvis oversettelsen ikke kan ordnes av forhandleren/importøren.
PT	Tenha em atenção que o produto não pode ser utilizado/colocado em funcionamento sem um manual de instruções na língua local. Se não tiver recebido o manual de instruções na sua língua nacional com a entrega do produto, contacte-nos. O envio é gratuito nos países da UE / EFTA. Para os países fora da UE / EFTA, teremos todo o gosto em fornecer-lhe um orçamento para o manual de instruções na língua local, se a tradução não puder ser organizada pelo revendedor / importador.
RO	Vă rugăm să rețineți că produsul nu poate fi utilizat / pus în funcțiune fără instrucțiuni de utilizare în limba locală. Dacă nu ați primit instrucțiuni de utilizare în limba dvs. națională odată cu livrarea produsului, vă rugăm să ne contactați. Vi le vom trimite gratuit în țările UE / AELS. Pentru țările din afara UE / AELS, vom fi bucuroși să vă furnizăm o ofertă pentru instrucțiuni de utilizare în limba locală, dacă traducerea nu poate fi organizată de către dealer / importator.
SE	Observera att produkten inte får användas / tas i drift utan bruksanvisning på det lokala språket. Om du inte har fått en bruksanvisning på ditt språk i samband med leveransen av produkten, vänligen kontakta oss. Vi skickar dem kostnadsfritt till dig i EU / EFTA-länder. För länder utanför EU / EFTA ger vi dig gärna en offert på bruksanvisningar på det lokala språket om översättningen inte kan organiseras av återförsäljaren / importören.
SK	Upozorňujeme, že výrobok sa nesmie používať/uvádzať do prevádzky bez návodu na obsluhu v miestnom jazyku. Ak ste spolu s výrobkom nedostali návod na obsluhu vo vašom národnom jazyku, kontaktujte nás. V krajinách EÚ/EZVO vám ich zašleme bezplatne. V krajinách mimo EÚ/EZVO vám radi poskytneme cenovú ponuku na návod na obsluhu v miestnom jazyku, ak preklad nemôže zabezpečiť predajca/dovozca.
SL	Upoštevajte, da izdelka ne smete uporabljati brez navodil za uporabo v lokalnem jeziku. Če z dostavo izdelka niste prejeli navodil za uporabo v nacionalnem jeziku, se obrnite na nas. V državah EU/EFTA vam jih bomo poslali brezplačno. Za države zunaj EU/EFTA vam bomo z veseljem pripravili ponudbo za navodila za uporabo v lokalnem jeziku, če prevoda ne more zagotoviti prodajalec/uvoznik.
CZ	Upozorňujeme, že výrobek nesmí být používán / uveden do provozu bez návodu k obsluze v místním jazyce. Pokud jste spolu s výrobkem neobdrželi návod k obsluze ve svém národním jazyce, kontaktujte nás. V zemích EU/EFTA vám je zašleme zdarma. V zemích mimo EU/EFTA vám rádi poskytneme nabídku návodu k obsluze v místním jazyce, pokud překlad nemůže zajistit prodejce/dovozce.
HU	Felhívjuk figyelmét, hogy a termék nem használható/helyezhető üzembe a helyi nyelven kiadott használati utasítás nélkül. Ha a termék szállításával együtt nem kapta meg a nemzeti nyelven készült használati utasítást, kérjük, lépjen kapcsolatba velünk. Az EU/EFTA-országokban ingyenesen elküldjük Önnek. Az EU / EFTA-n kívüli országok esetében szívesen adunk Önnek árajánlatot a helyi nyelvű kezelési útmutatóra, ha a fordítást a kereskedő / importőr nem tudja megszervezni.