

Lifting & Hoisting

Girder Trolleys

Push Girder Trolley

This light weight, adjustable all steel push girder trolley provides a safe and simple suspension point that can be moved along variable width R.S.J.'s and universal beams in a controlled manner, providing added flexibility and safety when moving heavy loads horizontally.

Capacity:

0.50t to 10.0t

Applications:

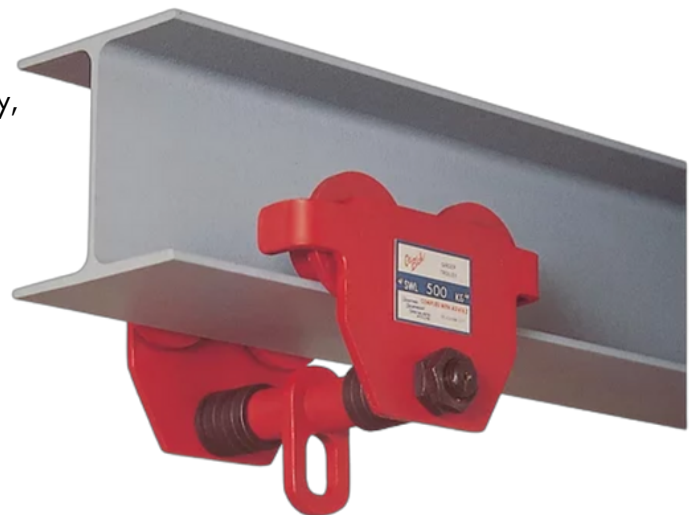
Construction, Engineering, Entertainment, Food Industry, Manufacturing, Marine, Mining, Warehousing.

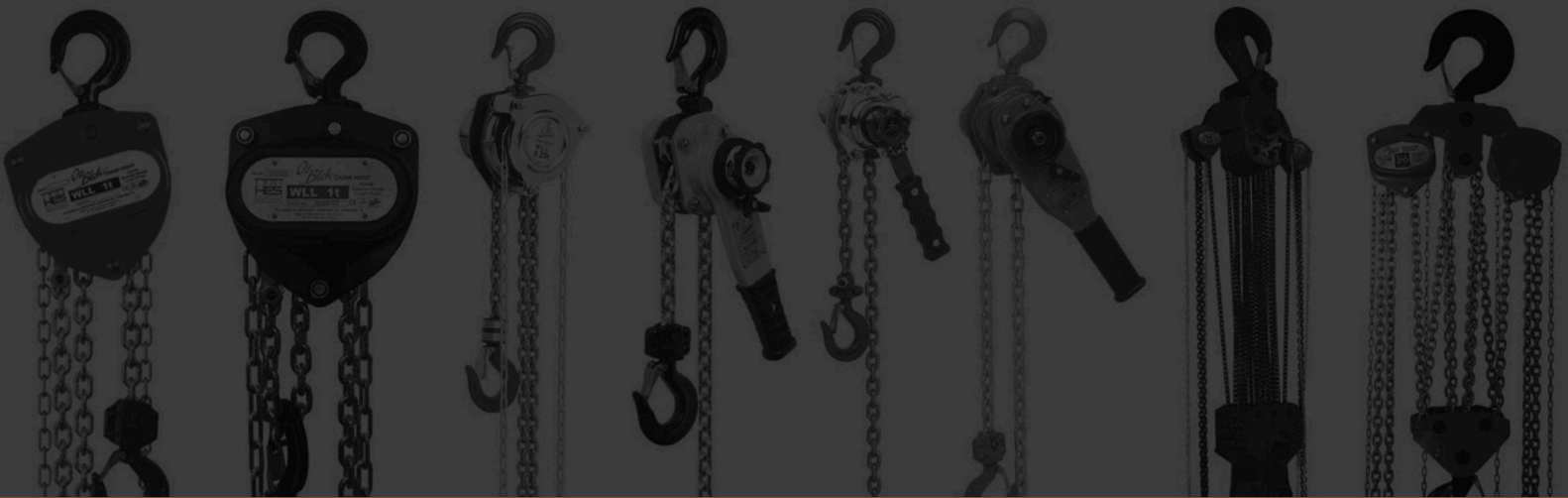
Complies with:

AS/NZS1418

Product Features

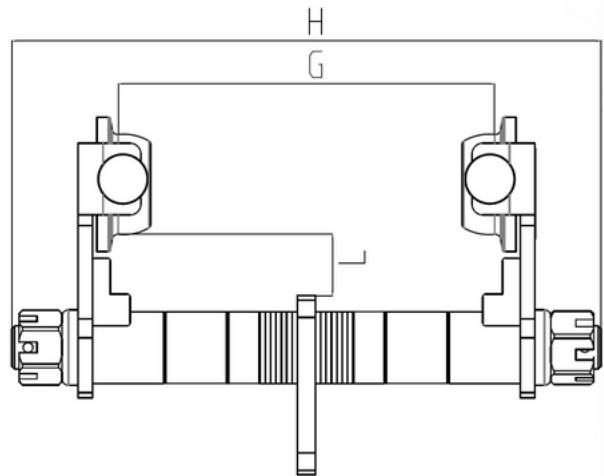
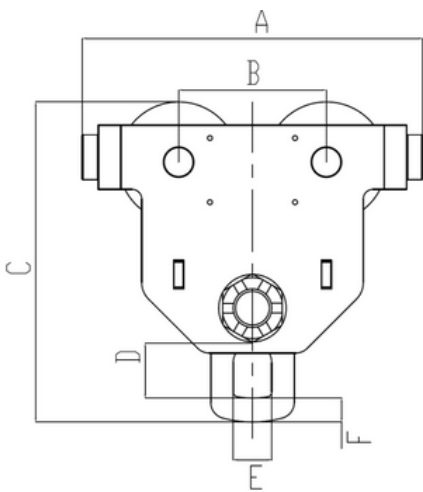
- Anti-derailment plates.
- Built-in bumper guards.
- Drop forged screw type adjuster.
- Precision ball bearing trolley wheels.
- Durable baked enamel paint protection.
- Also available in black and stainless steel.





Lifting & Hoisting

Girder Trolleys



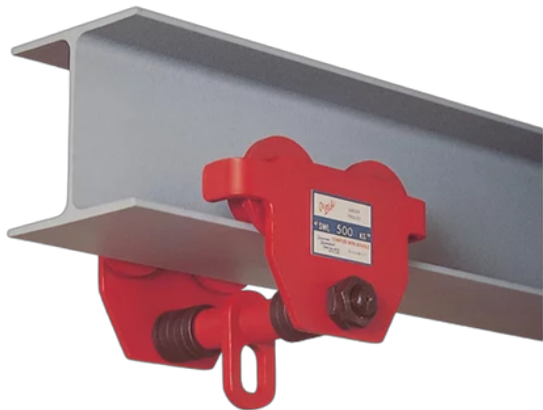
DIMENSIONS

PRODUCT CODE	WORKING LOAD LIMIT (W.L.L.)	A	B	C	D	E	F	G	H
PTOZ005	0.5t	204.00mm	90.00mm	186.00mm	34.00mm	22.00mm	12.00mm	210.00mm	308.00mm
PTOZ010	1.0t	212.00mm	92.00mm	199.50mm	34.00mm	24.00mm	15.00mm	210.00mm	323.00mm
PTOZ010-BLK	1.0t	210.00mm	92.00mm	199.50mm	34.00mm	24.00mm	15.00mm	210.00mm	323.00mm
PTOZ020	2.0t	256.00mm	108.00mm	241.00mm	47.50mm	33.00mm	17.00mm	210.00mm	342.00mm
PTOZ030	3.0t	308.00mm	130.00mm	300.50mm	58.50mm	37.00mm	25.00mm	305.00mm	456.00mm
PTOZ050	5.0t	346.00mm	149.00mm	334.59mm	71.50mm	42.00mm	26.50mm	305.00mm	472.00mm
PTOZ100	10.0t	406.00mm	172.00mm	407.14mm	86.00mm	50.00mm	32.00mm	305.00mm	489.00mm
PTOZSS010	1.0t	331.00mm	246.00mm	229.00mm	-	-	-	-	127.00mm
PTOZSS020	2.0t	350.00mm	276.00mm	268.00mm	-	-	-	-	150.00mm



Lifting & Hoisting

Girder Trolleys



SPECIFICATIONS

PRODUCT CODE	WORKING LOAD LIMIT (W.L.L.)	MINIMUM RADIUS CURVE	ADJUSTABLE BEAM WIDTH	NET WEIGHT
PTOZ005	0.5t	0.6m	50mm – 210mm	5.70kg
PTOZ010	1.0t	0.8m	64mm – 210mm	7.95kg
PTOZ010-BLK	1.0t	0.8m	64mm – 210mm	7.95kg
PTOZ020	2.0t	1.1m	88mm – 210mm	14.00kg
PTOZ030	3.0t	1.4m	100mm – 305mm	24.20kg
PTOZ050	5.0t	1.0m	114mm – 305mm	36.00kg
PTOZ100	10.0t	1.3m	125mm – 305mm	64.90kg
PTOZSS010	1.0t	1.0m	64mm – 203mm	12.00kg
PTOZSS020	2.0t	1.1m	88mm – 203mm	19.50kg